

AIPHONE

IS SERIES

Commercial & Security Video Intercom system

INSTALLATION MANUAL

Thank you for selecting Aiphone for your communication and security needs. Please read this manual carefully before installation, and keep it in a safe place for future reference.

Also read the SETTING MANUAL and OPERATION MANUAL on the bundled CD-ROM.

When the installation is completed, configure the system by following the SETTING MANUAL. Otherwise, the system will be non-functional.

IMPORTANT

- **Do not install the system until you have completely understood the system and this manual.**
- **The system must be installed and wired by a qualified technician well-versed in network construction.**

Please note that the illustrations in this manual may differ from the actual ones.

CONTENTS

PRECAUTIONS	3	■ Specifications	16
WARNING	3	■ Connections	17
CAUTION	3	Color monitor master station (IS-MV)	18
GENERAL PRECAUTIONS	3	■ Accessories	18
Notes on using this system	4	■ Mounting.....	18
Notices	4	■ Connections	19
SYSTEM CONFIGURATIONS	4	Vandal-resistant video door station (IS-DV, IS-DVF), Vandal-resistant audio door station (IS-SS)	20
Entire system	4	■ Accessories	20
System configuration examples	5	■ Mounting locations (IS-DV and IS-DVF) ...	20
■ Standard (IP) system.....	5	■ Mounting positions and image view area of video door station (IS-DV and IS-DVF)	20
CONNECTIONS	6	■ Mounting.....	21
System connection diagram	6	■ Connections (IS-DV and IS-DVF).....	22
Cables	8	■ Connections (IS-SS).....	23
UNIT DETAILS	9	Room sub station (IS-RS)	24
Control unit common information	9	■ Accessories	24
■ Accessories	9	■ Mounting.....	24
■ Mounting.....	9	■ Connections	25
Central control unit (IS-CCU)	10	Power supply unit (IS-PU-UL and IS-PU-S)	26
■ Part names	10	■ Accessories	26
■ Specifications	10	■ Mounting.....	26
■ Connections	11	■ AC cord requirements.....	26
Add-on control unit (IS-SCU)	12	TECHNICAL DATA AND PRECAUTIONS	27
■ Part names	12	WARRANTY	Back cover
■ Specifications	12		
■ Connections	13		
Room sub control unit (IS-RCU)	14		
■ Part names	14		
■ Specifications	14		
■ Connections	15		
IP control unit (IS-IPC)	16		
■ Part names	16		

After unpacking, check the included parts for each product referring to the corresponding pages.

ABOUT THIS MANUAL

The IS system provides various manuals to meet various system planning and work processes. Use the manuals necessary for your system.

Manual configurations

The following manuals are provided for a local system. Read all the manuals for installing, setting up, and using a local system, or provide the manuals to the persons working with the system.

* The INSTALLATION MANUAL includes the contents for a standard (IP) system.



INSTALLATION MANUAL (This manual)

Used for installing and connecting control units, stations and power supply unit. (For an installer or serviceman)



SETTING MANUAL (An electronic manual on the CD-ROM included with the central control unit)

Used for making the system settings and system maintenance. (For an installer or serviceman)

OPERATION MANUAL (An electronic manual on the CD-ROM included with the central control unit)

This manual describes how to use this system for calling, communicating, paging, monitoring, etc. (For users of the system)

PRECAUTIONS

- ⊘ General Prohibitions
- ⊘ Prohibition to Dismantle the Unit
- ⊘ Prohibition on Subjecting the Unit to Water
- ⚠ General Precautions

⚠ WARNING

Negligence could result in death or serious injury.

- ⊘ 1. Do not dismantle or alter the unit. Fire or electric shock could result.
- ⊘ 2. Keep the unit away from water or any other liquid. Fire or electric shock could result.
- ⊘ 3. High voltage is present internally. Do not open the case. Electric shock could result.
- ⊘ 4. The unit is not of explosion-proof. Do not install or use near gases or flammable materials. Fire or explosion could result.
- ⊘ 5. Do not connect any non-specified power source to the +, - terminals. Also, do not install two power supplies in parallel to a single input. Fire or damage to the unit could result. Be sure to connect a single power supply unit to a control unit.
- ⊘ 6. Do not connect any terminal on the unit to an AC power line. Fire or electric shock could result.
- ⊘ 7. Do not use power supply with a voltage other than specified. Fire or electric shock could result.
- ⊘ 8. Keep AC cord from being marred or crushed. If the AC cord is fractured, fire or electric shock could result.
- ⊘ 9. Do not plug or unplug with wet hands. Electric shock could result.
- ⊘ 10. Insert AC plug completely and securely into AC outlet. Otherwise, fire or electric shock could result.
- ⊘ 11. Do not put any metal or flammable material into the unit through the openings. Fire, electric shock, or unit trouble could result.
- ⚠ 12. The unit must be installed and wired by a qualified technician.
- ⚠ 13. Existing wiring such as chime wiring, etc. may contain high voltage AC electricity. Damage to the unit or electric shock could result. Wiring and installation should be done by a qualified technician.

⚠ CAUTION

Negligence could result in injury to people or damage to property.

- ⊘ 1. Do not install or make any wire terminations while power supply is plugged in. It can cause electrical shock or damage to the unit.
- ⚠ 2. When mounting the unit on a wall, install the unit in a convenient location, but not where it could be jarred or bumped. Injury could result.
- ⚠ 3. Before turning on power, make sure wires are correctly connected, not crossed or not shorted. If not, fire or electric shock could result.
- ⊘ 4. Do not install the unit in locations subject to frequent vibration or impact. It may fall or tip over, resulting in damage to the unit or personal injury.
- ⚠ 5. For power supply, use Aiphone power supply model or model specified for use with system. If non-specified product is used, fire or malfunction could result.
- ⚠ 6. On products with ground terminals, connect to an earth ground. Fire or malfunction could result.
- ⚠ 7. For DC powered systems, use Aiphone power supply model specified with system. If non-specified product is used, fire or malfunction could result.
- ⊘ 8. Do not put high pressure on the monitor. If fractured, injury could result.
- ⊘ 9. If LCD is punctured, do not allow contact with the liquid crystal inside. Inflammation could result. If necessary, gargle your mouth and clean your eyes or skin with clear water for at least 15 minutes, and consult your doctor.

- ⊘ 10. Do not put anything on the unit or cover the unit with cloth, etc. Fire or unit trouble could result.
- ⊘ 11. Do not install the unit in any of the following locations. Fire, electric shock, or unit trouble could result.
 - * Places under direct sunlight or places near heating equipment that varies in temperature.
 - * Places subject to dust, oil, chemicals, hydrogen sulfide (hot spring).
 - * Places subject to moisture and humidity extremes, such as bathrooms, cellars, greenhouses, etc.
 - * Places where the temperature is quite low, such as inside a refrigerated area or in front of an air conditioner.
 - * Places subject to steam or smoke (near heating or cooking surfaces).
 - * Where noise generating devices such as dimmer switches or inverter electrical appliances are closeby.
- ⚠ 12. Be sure to perform a call test or check the volume with the handset on the hook. If you operate the hook switch with the handset on your ear, a sudden call etc. may arrive causing damage to your ear.

GENERAL PRECAUTIONS

1. Keep the unit more than 1 m (3.3') away from radio or TV.
2. Keep the intercom wires more than 30cm (12") away from AC 100-240V wiring. AC induced noise and/or unit malfunction could result.
3. Install the unit in an area that will be accessible for future inspections, repairs, and maintenance.
4. As to other manufacturer's devices (such as sensor, detectors, door releases) used with this system, comply with the Specifications and Warranty conditions that the manufacturers or vendors present.
5. If the unit is down or does not operate properly, turn off the power switches and unplug the power supply.
6. If it is used close to a cellular phone, the unit may malfunction.
7. The unit can be damaged if dropped. Handle with care.
8. The unit turns inoperative during power failure.
9. In areas where broadcasting station antennas are close by, the intercom system may be affected by radio frequency interference.
10. All the units, except for door station, is designed for indoor use only. Do not use outdoor.
11. This product, being a control unit of door release, should not be used as a crime prevention device.
12. It must be noted in advance that the LCD panel, though manufactured with very high precision techniques, inevitably will have a very small portion of its picture elements always lit or not lit at all. This is not considered a unit malfunction.
13. Door station is weather-resistant, but do not spray with high-pressure water. Unit trouble could result.
14. For wiring, specify CAT5e/6 straight cable.
15. Due to the environmental sound around the unit, it may hinder smooth communication, but this is not a malfunction.
16. When outside temperature lowers sharply after rainfall, etc., the inside of camera may fog up slightly, causing a blurry picture, but this is not a malfunction. Normal operation will be restored when moisture evaporates.
17. Do not locate the units in a location with restricted access. It impedes maintenance inspection or repairs. Also, unit trouble could result.

Notes on using this system

- The ID/Password to access the web server for setting the system is the customer's responsibility. Make sure you set a password that cannot be easily guessed by a third party. We recommend that you change the ID/Password on a regular basis.

Notices

- We will under no conditions be liable for damage that occurs due to failures in network equipment; failures due to internet providers and cell phone companies; failures such as disconnected lines and other losses in communication, which render it impossible to provide this service or in any way delay this service due to causes outside of our responsibility; or if an error or missing data occurs during transmission.
- We will under no conditions be liable for damage that occurs due to the inability to communicate due to malfunctions, problems, or operational errors in this product.
- We will under no conditions be liable for damage caused if a customer's password or transmitted information are leaked through bugging or unlawful computer access over Internet communication.
- We will under no conditions be liable for any damages or losses resulting from this product's contents or specifications.

- This manual was created by Aiphone Co., Ltd., all rights reserved. Copying a part of or this entire manual without prior permission from Aiphone Co., Ltd. is strictly forbidden.
- Please note that images depicted in this manual may differ from the actual images.
- Please note that this manual may be revised or changed without prior notice.
- Please note that product specifications may be changed for the sake of improvement without prior notice.
- Please be aware that it is the customer's responsibility to ensure that their computer is secure. We will under no conditions be liable for security failures.
- This system is not intended for life support or crime prevention. It is just a supplementary means of conveying information. Aiphone will under no conditions be liable for loss of life or property which occurs while the system is being operated.

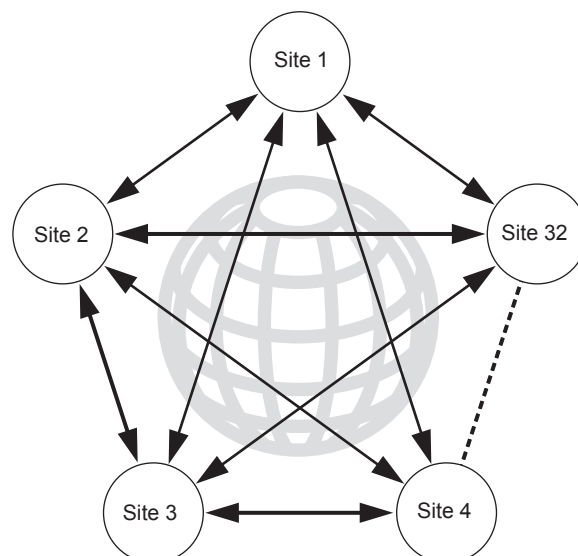
SYSTEM CONFIGURATIONS

The IS system is a commercial and security video intercom system especially designed for applications in facilities such as office buildings, factories, schools, hospitals, and prisons. Installed separately from conventional general-purpose internal communications systems, the IS system can be used as a video door entry system, emergency announcement system, rescue assistance system, urgent call system, public announcement system, and access control system.

The IS system can be constructed on an IP network so multiple sites of IS system can be connected and controlled as a global system. You can design the system to any scale depending on your needs.

Entire system

An entire system can have up to 32 sites connected on an IP network. In this system, calling, communication, etc. are possible among sites.

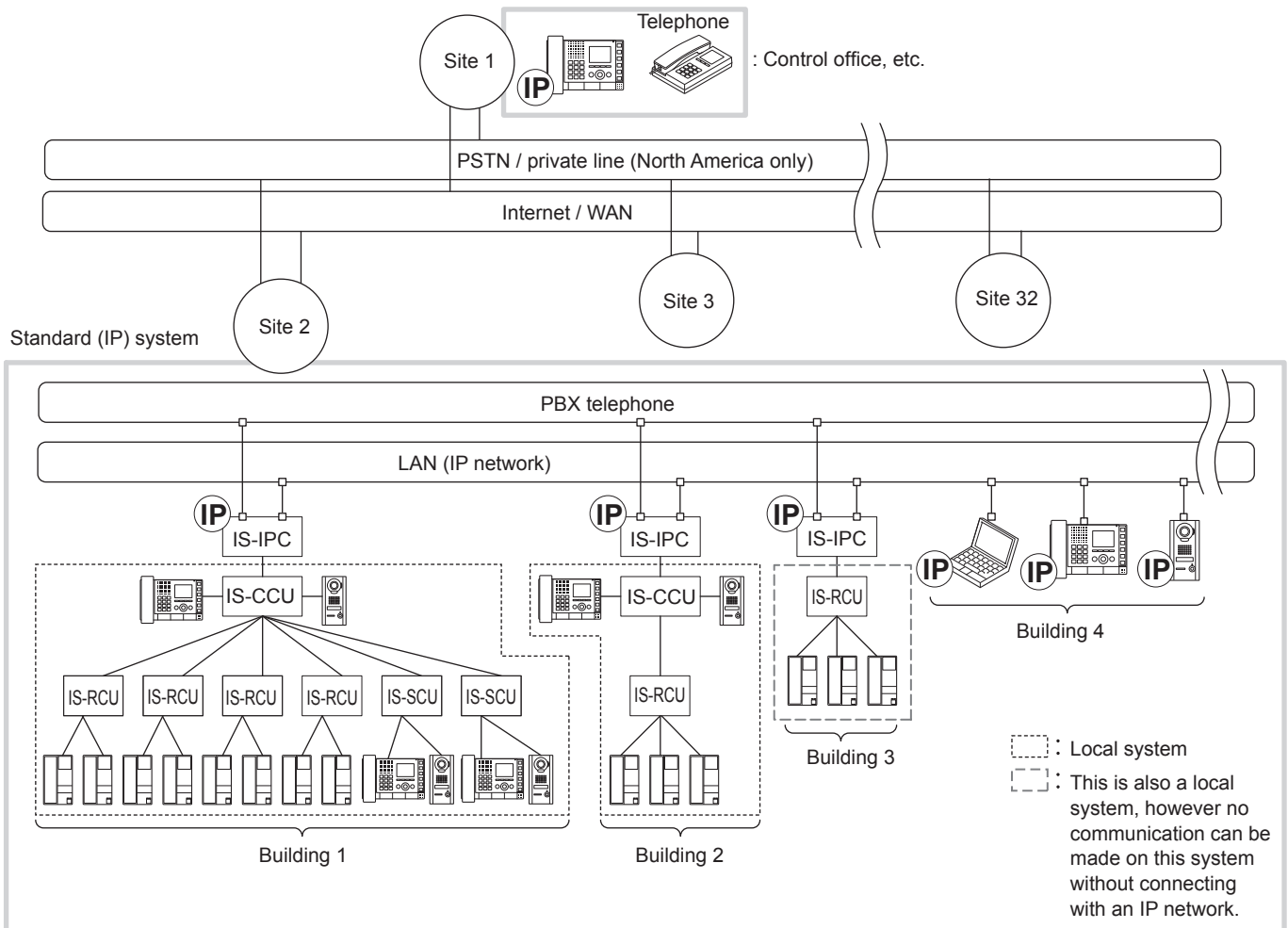


System configuration examples

■ Standard (IP) system

The following is an example of standard (IP) system for controlling security and communication for facilities.

- A site must be configured with an IP-based system.
- A standard (IP) system can consist of local systems and IP units.
- A local system (Hard wired network system) without connecting to an IP network can also be an independent system.
- When using a local system as an independent system, it needs at least one central control unit (IS-CCU). To connect a local system to a standard (IP) system, one IP control unit (IS-IPC) is needed.
- An IP unit (PC master station, IP door station or IP master station) can be connected directly to a LAN.
- In a site, up to 32 IP units (including up to 8 IP control units) can be connected.



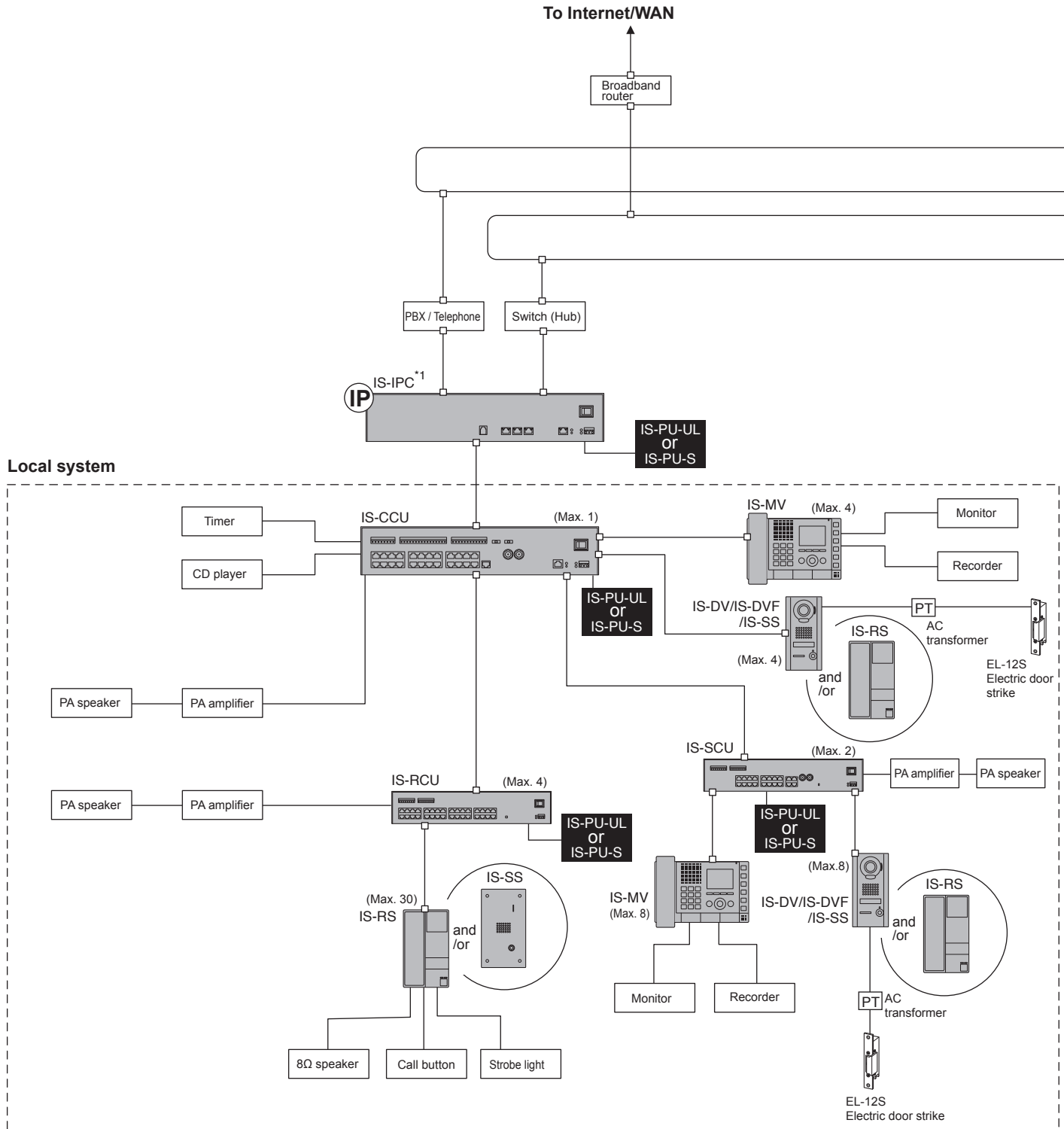
IP : IP unit

CONNECTIONS

System connection diagram

The following is an example of standard (IP) system connection diagram.

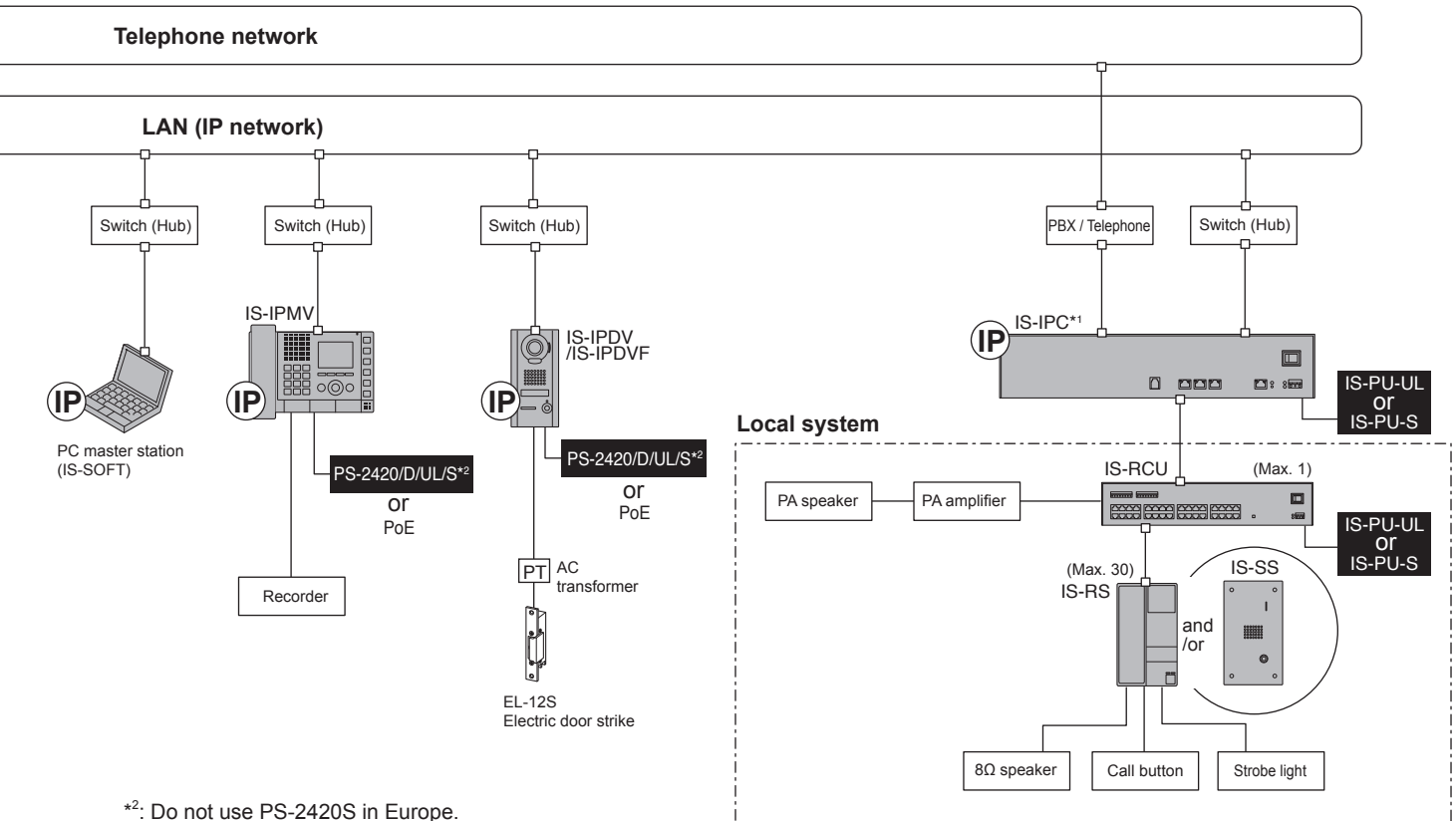
* Refer to page 9 to 26 for details about each unit connection.



*1: An IP control unit (IS-IPC) is needed to connect a local system to a standard (IP) system.

■ : IS system product

Ⓜ : IP unit



*2: Do not use PS-2420S in Europe.

Maximum number of each unit connectable to a "local system" and a site of "standard (IP) system"

Category	Model name	Type	Max. number	
			Local system	Standard (IP) system
Local	Control unit	IS-CCU	1	8 ^{*4}
		IS-SCU	2	16
		IS-RCU	4	32
	Master station	IS-MV	20	160
	Sub station	IS-DV	20	160
		IS-DVF		
		IS-SS ^{*3}		
	IS-RS ^{*3}	120	960	
IP	Control unit	IS-IPC	-	32 ^{*4}
	Master station	IS-IPMV	-	
		IS-SOFT (PC master station)	-	
		IS-IPDV	-	
	Sub station	IS-IPDVF	-	

*3: You can use vandal-resistant audio door stations (IS-SS) instead of room sub stations (IS-RS) and vice versa.

*4: Up to 8 IP control units (IS-IPC) can be connected with an IP network per site. If you do so, the maximum number of other IP units that can be connected to the IP network is 24 per site. One local system can be connected with an IP control unit (IS-IPC).

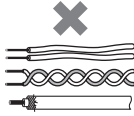
Up to 31 PC master stations (IS-SOFT) can be connected with an IP network per site. If you do so, at least one IP control unit (IS-IPC), color monitor IP master station (IS-IPMV) or IP vandal-resistant video door station (IS-IPDV or IS-IPDVF) should be also connected.

Cables

Cables and connectors are not included with the products. Refer to page 9 to 26 for details about each unit connection.

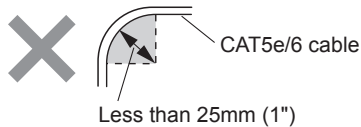
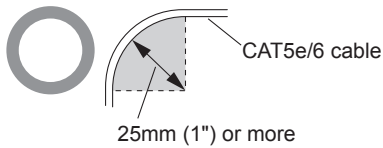
Notes on cables

- Unless otherwise noted, never use individual conductors, twisted pair cable or coaxial cable.
- Odd number cables, such as three conductor wire, cannot be used.

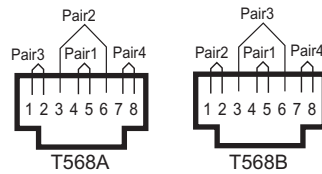


Notes on CAT5e/6 cables

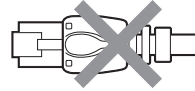
- Do not bend the cables to an extent where the radius is less than 25 mm (1"). Communication failure could result.
- Arrange the color code of the RJ45 connections in accordance with EIA/TIA-568A or 568B.



- Do not remove the CAT5e/6 cable jacket more than necessary.



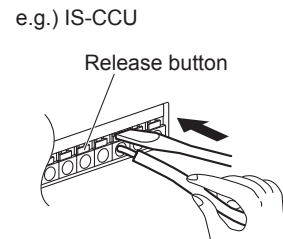
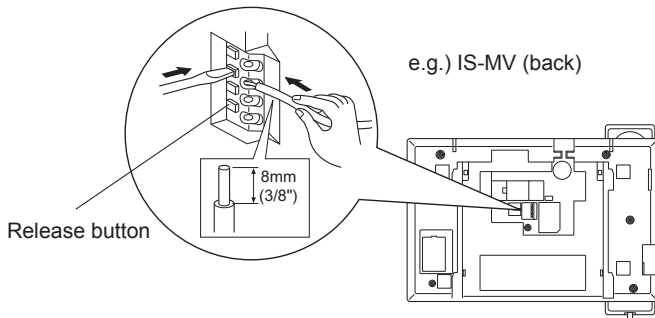
- **Be sure to check the condition of cable connections with a LAN checker before connecting with a LAN cable.**
- An RJ45 connector with a cover cannot be connected to the port for CAT5e/6 on master stations, door stations, or room sub stations. Use a cable without a cover for the units except for the control units.



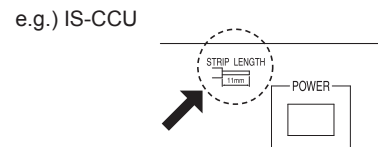
- Do not pull or put excess strain on CAT5e/6 cables.
- **Use a straight-through cable for connecting units. Use a crossover cable when connecting with a PC directly.**

How to connect or disconnect stranded wires.

- Twist the strands together, then insert the wire into one of the quick coupling terminals.
- To ensure that the wire won't bend, press the release button while inserting into terminal.



* Strip off the cable jacket by following the indication on each unit.



UNIT DETAILS

Control unit common information

* The information on this page is common to Central control unit (IS-CCU), Add-on control unit (IS-SCU), Room sub control unit (IS-RCU) and IP control unit (IS-IPC).

Accessories

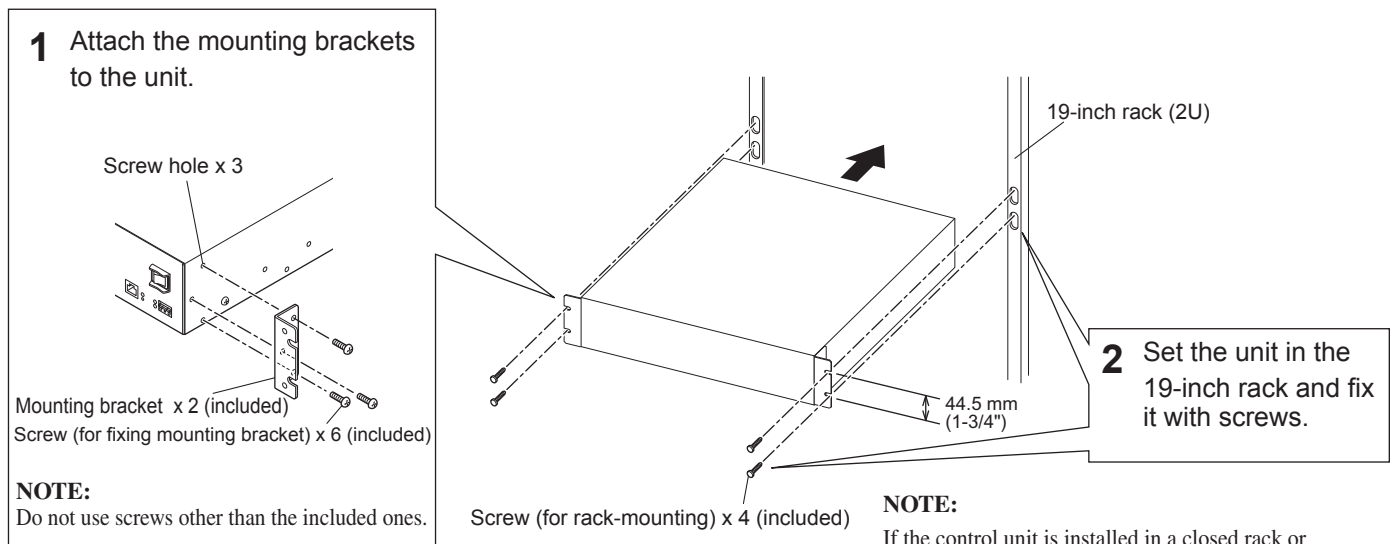
- Mounting bracket x 2
- Screw (for wall-mounting) x 4
- Screw (for rack-mounting) x 4
- Screw (for fixing mounting bracket) x 6
- Installation manual (a booklet)*¹ x 1
- CD-ROM (Installation manual, Setting manual and Operation manual)*² x 1
- China RoHS paper x 1

*1: IS-CCU only

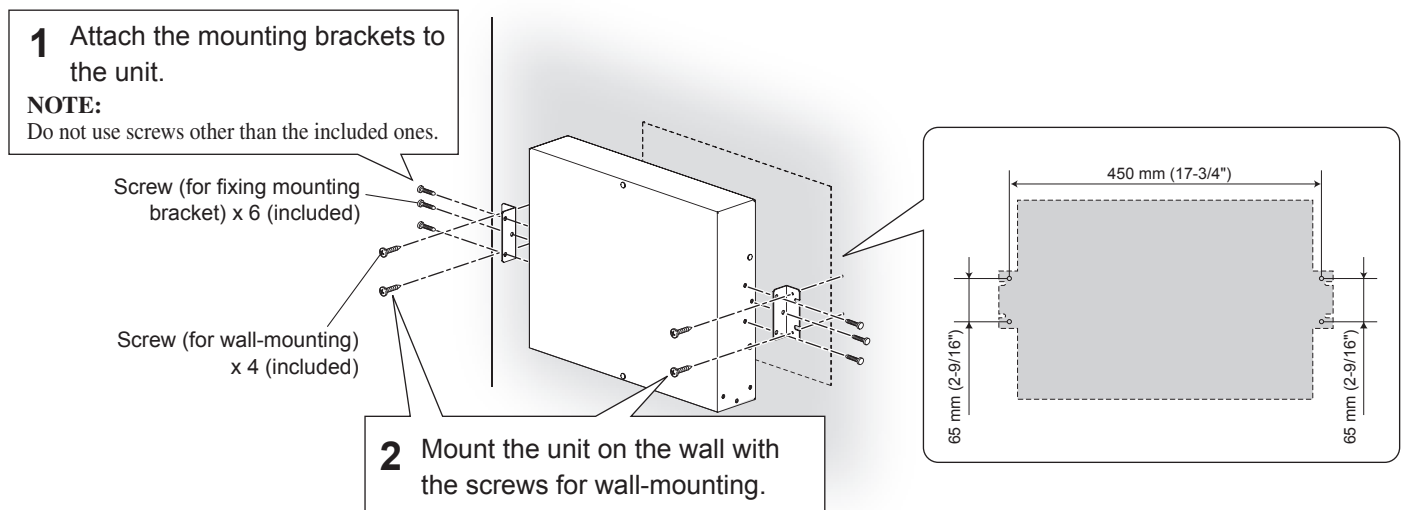
*2: IS-CCU and IS-IPC only

Mounting

<When mounting into the 19-inch rack>

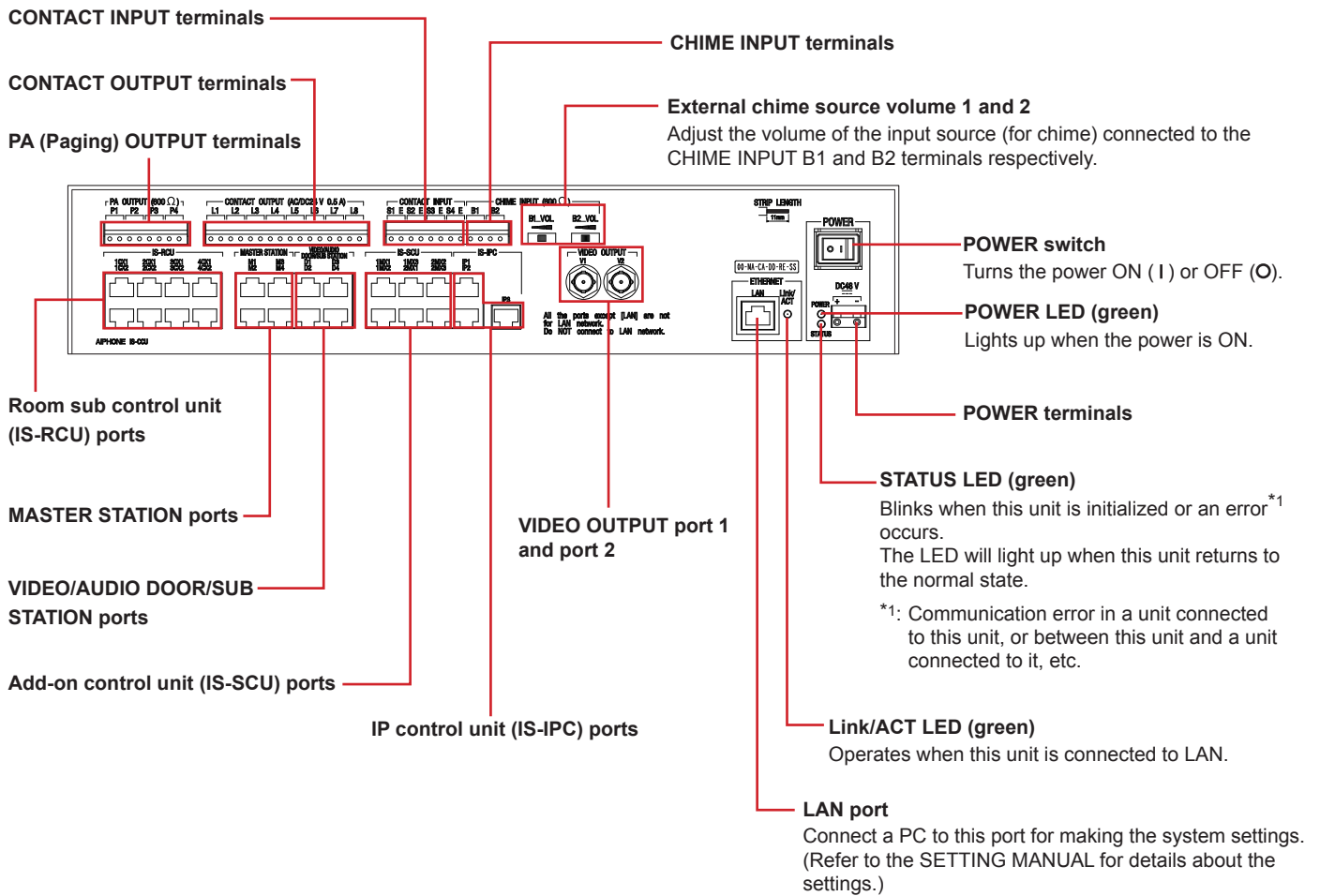


<When mounting on a wall>



Central control unit (IS-CCU)

Part names



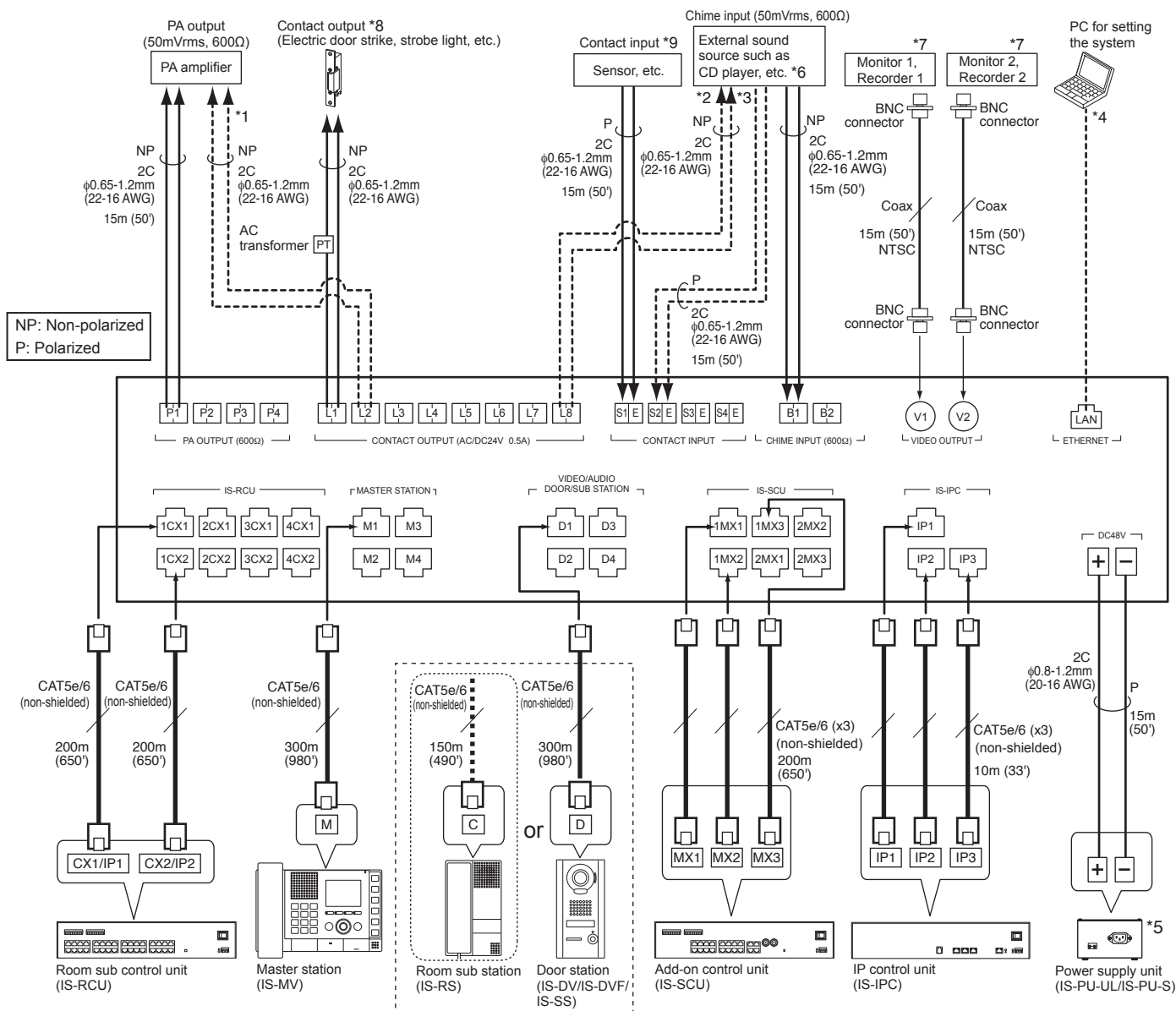
NOTE:
The illustration of the unit may differ from the actual one.

Specifications

Central control unit (IS-CCU)

Power source	48V DC (supplied from the power supply unit)
Current consumption	Max. 800mA
Ambient temperature	0 - 40°C (+32°F - +104°F)
Talk channels · Video channels	Local system: 2 talk & 2 video channels, 1 chime
Master station(s)	Max. 4
Video door station(s)	
Audio door station(s)	Max. 4
Room sub station(s)	
Add-on control unit	Max. 2
Room sub control unit	Max. 4
IP control unit	Max. 1
Video output	NTSC BNC (Video channel 1,2)
LAN	Ethernet (10 BASE-T, 100 BASE-TX)
Mounting	Rack-mount (19-inch, 2U rack) or wall-mount
Material	Steel plate
Color	Black

■ Connections



*1: This connection is needed when a PA amplifier that needs a trigger input is connected. (Up to AC/DC 24V 0.5A)

*2: This connection is needed when a sound source etc. that needs a trigger input is connected. (Up to AC/DC 24V 0.5A) Connect a timer to the CONTACT INPUT terminals when an external sound source device (CD player etc.) that does not have a timer function is connected.

*3: This connection is needed when a sound source that has a trigger output is connected.

*4: Refer to the SETTING MANUAL for connection and settings.

*5: Do not install two power supplies in parallel to a single input. Be sure to connect a single power supply unit to a control unit.

*6: Do not use an external sound source as background music. If the background music is interrupted by another performance during chime paging, the chime paging will not be restored after the performance ends.

*7: Outputs images only from a video door station connected to this unit.

*8: Output specifications

Output method	N/O or N/C dry closure contact
Voltage between terminals	24V AC, 0.5A (resistive load) 24V DC, 0.5A (resistive load) Minimum overload (AC/DC): 100mV, 0.1mA

*9: Input specifications

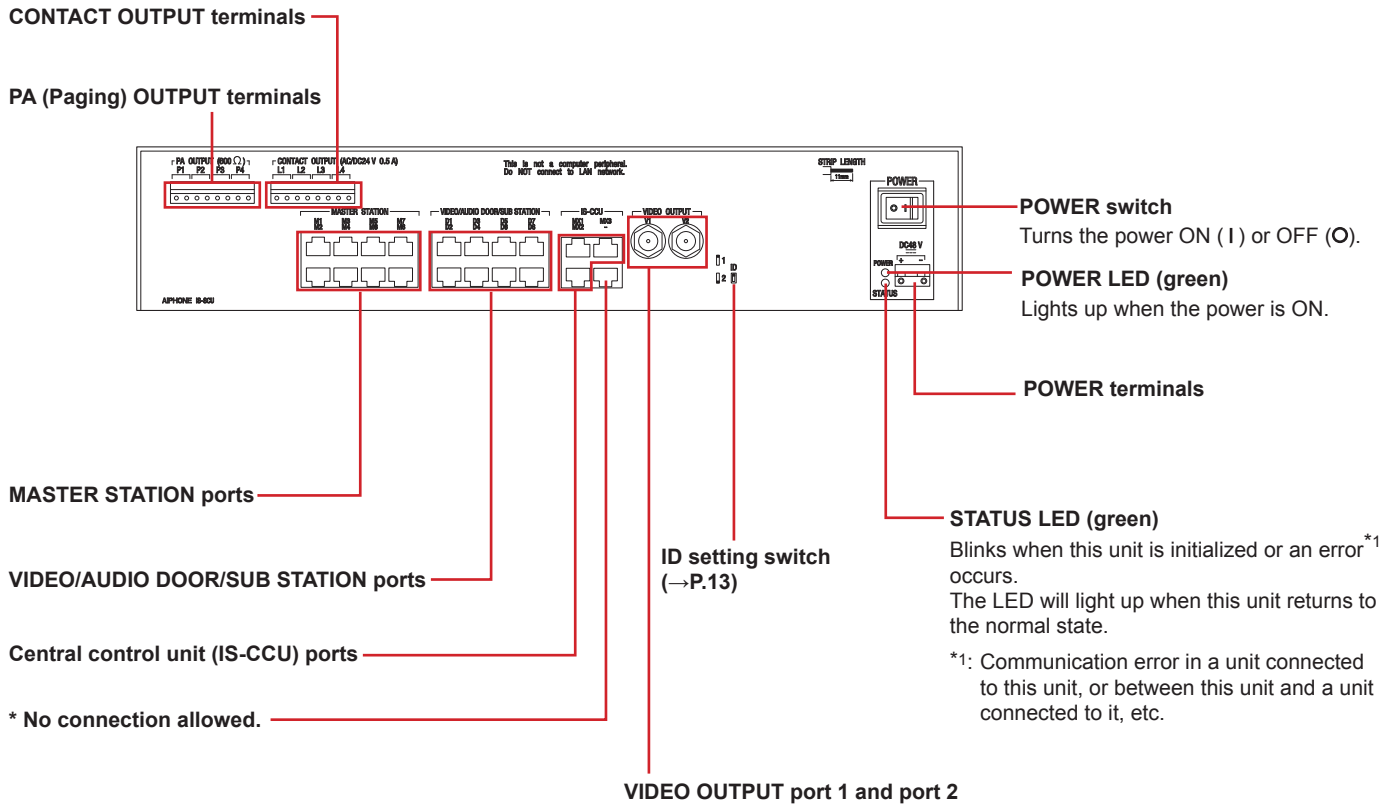
Input method	N/O or N/C dry closure contact (start signal only detection method)
Detection confirmation time	100 ms or more
Contact resistance	During N/O dry closure: Less than 700 Ω During N/C dry closure: At least 4 k Ω
Terminal short current	Less than 10 mA
Voltage between terminals	Less than 5 V DC (when open between terminals)

NOTES:

- Do not use the unoccupied terminals and ports for other purposes.
- In order to prevent miswiring, label both ends of each cable with the unit and terminal names to which they are to be connected.
- For connecting other manufacturer's products, refer to the instruction manuals for those products.
- The illustration of the unit's front panel differs from the actual one. This is for simplifying the connection diagram.

Add-on control unit (IS-SCU)

Part names



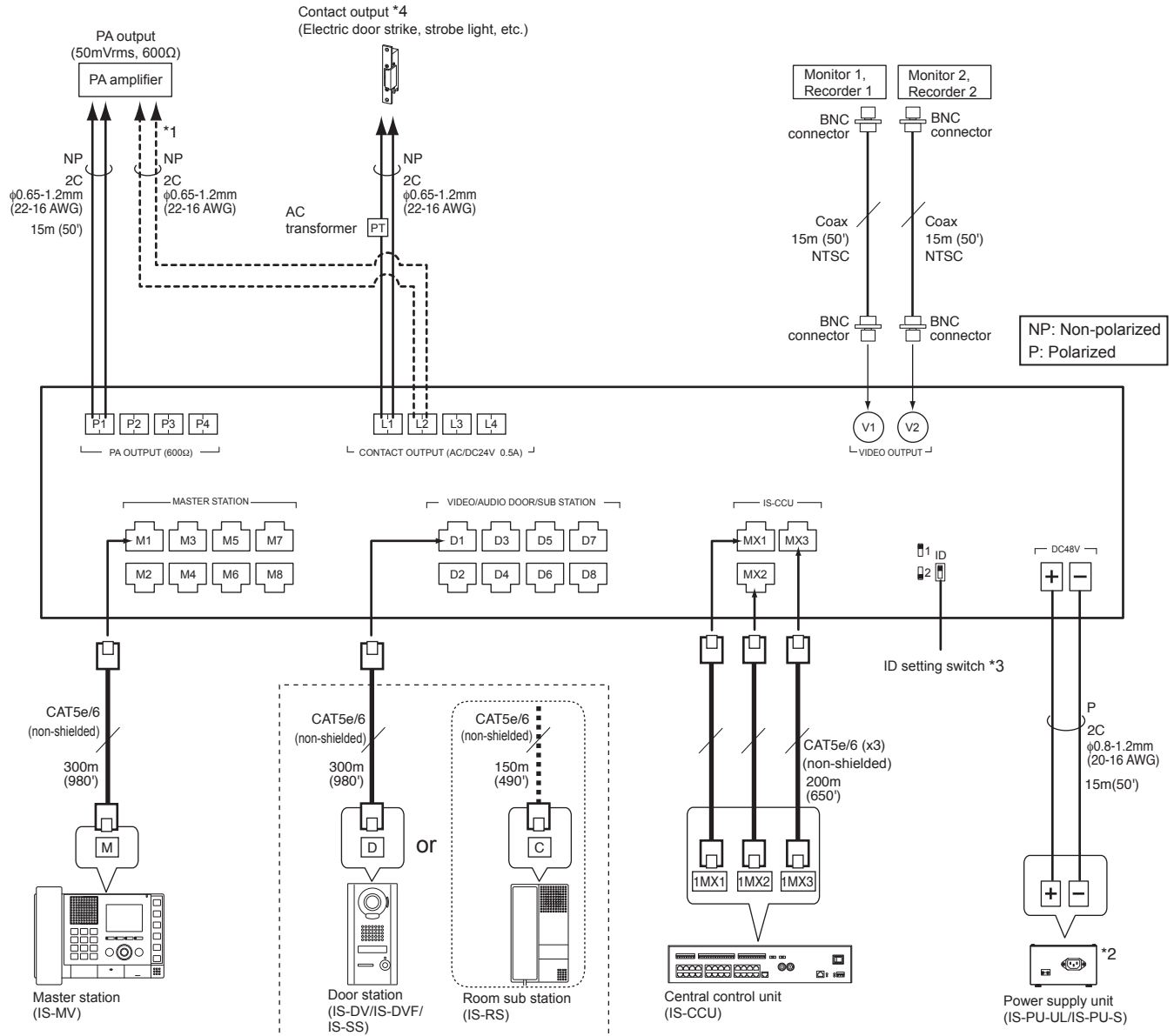
NOTE:
The illustration of the unit may differ from the actual one.

Specifications

Add-on control unit (IS-SCU)

Power source	48V DC (supplied from the power supply unit)
Current consumption	Max. 1.2A
Ambient temperature	0 - 40°C (+32°F - +104°F)
Talk channels • Video channels	Local system: 2 talk & 2 video channels, 1 chime
Master station(s)	Max. 8
Video door station(s)	
Audio door station(s)	Max. 8
Room sub station(s)	
Video output	NTSC BNC (Video channel 1,2)
Mounting	Rack-mount (19-inch, 2U rack) or wall mount
Material	Steel plate
Color	Black

Connections



*1: This connection is needed when a PA amplifier that needs a trigger input is connected. (Up to AC/DC 24V 0.5A)

*2: Do not install two power supplies in parallel to a single input. Be sure to connect a single power supply unit to a control unit.

*3: **Setting the ID setting switch**

ID No.	Switch position	Description
ID 1	<input type="checkbox"/> ON <input type="checkbox"/> OFF	Set to this position when this unit is connected to 1MX1, 1MX2 and 1MX3 ports of IS-CCU.
ID 2	<input type="checkbox"/> ON <input type="checkbox"/> OFF	Set to this position when this unit is connected to 2MX1, 2MX2 and 2MX3 ports of IS-CCU.

*4: Refer to "Output specifications" (→P.11).

NOTES:

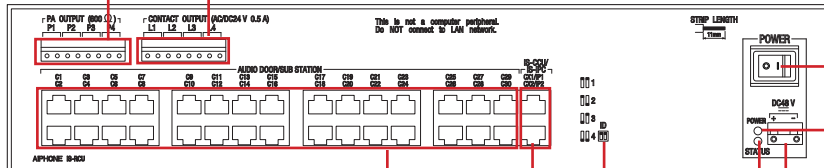
- Do not use the unoccupied terminals and ports for other purposes.
- In order to prevent miswiring, label both ends of each cable with the unit and terminal names to which they are to be connected.
- For connecting other manufacturer's products, refer to the instruction manuals for those products.
- The illustration of the unit's front panel differs from the actual one. This is for simplifying the connection diagram.

Room sub control unit (IS-RCU)

Part names

CONTACT OUTPUT terminals

PA (Paging) OUTPUT terminals



AUDIO DOOR/SUB STATION ports

Central control unit (IS-CCU) /
IP control unit (IS-IPC) ports

ID setting switch
(→P.15)

POWER switch

Turns the power ON (I) or OFF (O).

POWER LED (green)

Lights up when the power is ON.

POWER terminals

STATUS LED (green)

Blinks when this unit is initialized or an error*¹ occurs.

The LED will light up when this unit returns to the normal state.

*1: Communication error in a unit connected to this unit, or between this unit and a unit connected to it, etc.

NOTE:

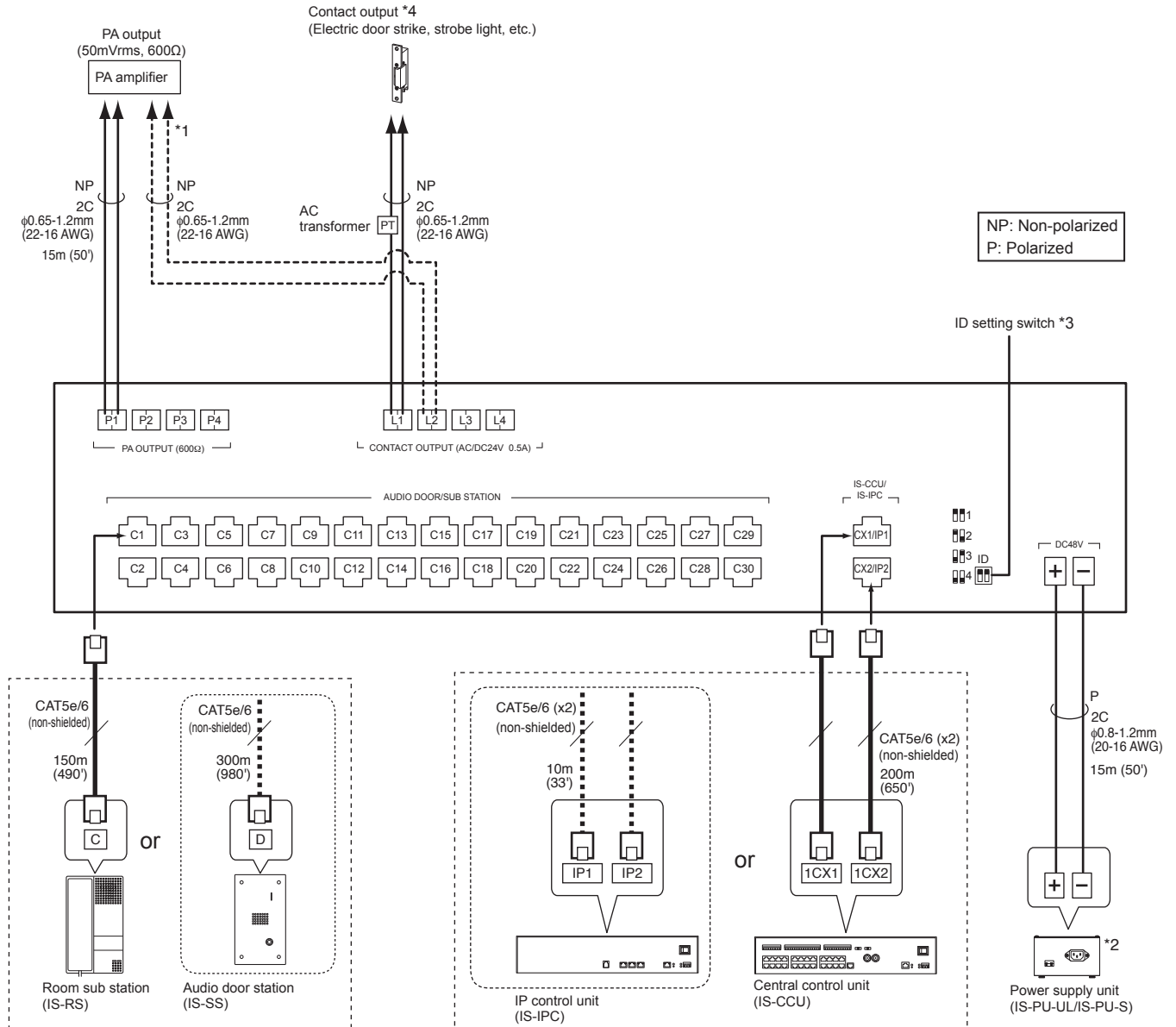
The illustration of the unit may differ from the actual one.

Specifications

Room sub control unit (IS-RCU)

Power source	48V DC (supplied from the power supply unit)
Current consumption	Max. 1.8A
Ambient temperature	0 - 40°C (+32°F - +104°F)
Talk channels	Local system: 2 talk channels, 1 chime
Audio door station(s) Room sub station(s)	Max. 30
Mounting	Rack-mount (19-inch, 2U rack) or wall-mount
Material	Steel plate
Color	Black

Connections



*1: This connection is needed when a PA amplifier that needs a trigger input is connected. (Up to AC/DC 24V 0.5A)

*2: Do not install two power supplies in parallel to a single input. Be sure to connect a single power supply unit to a control unit.

*3: **Setting the ID setting switch**

ID No.	Switch position	Description
ID 1	ON OFF	Set to this position when this unit is connected to 1CX1 and 1CX2 ports of IS-CCU. Set to this position when this unit is connected to IS-IPC.
ID 2	ON OFF	Set to this position when this unit is connected to 2CX1 and 2CX2 ports of IS-CCU.
ID 3	ON OFF	Set to this position when this unit is connected to 3CX1 and 3CX2 ports of IS-CCU.
ID 4	ON OFF	Set to this position when this unit is connected to 4CX1 and 4CX2 ports of IS-CCU.

*4: Refer to "Output specifications" (→P.11).

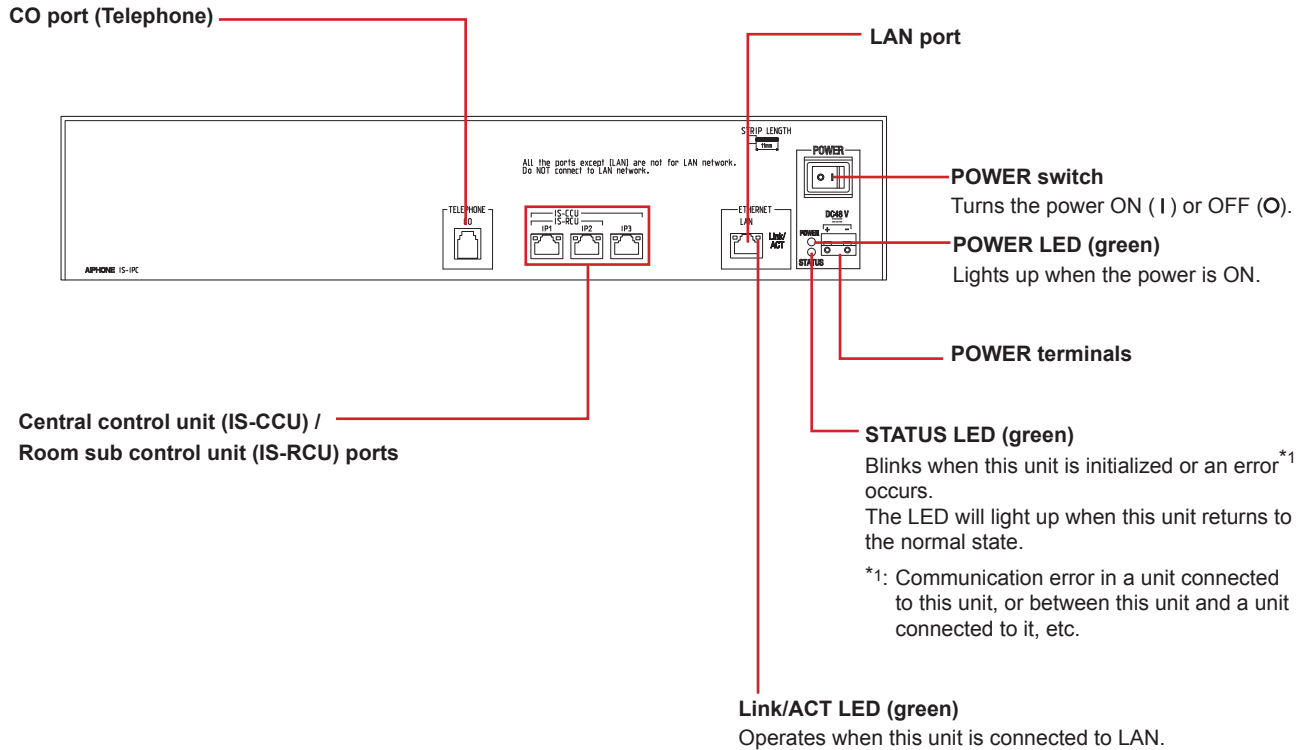
NOTES:

- Do not use the unoccupied terminals and ports for other purposes.
- In order to prevent miswiring, label both ends of each cable with the unit and terminal names to which they are to be connected.
- For connecting other manufacturer's products, refer to the instruction manuals for those products.
- The illustration of the unit's front panel differs from the actual one. This is for simplifying the connection diagram.

IP control unit (IS-IPC)

IP : This unit is needed to connect a local system to a standard (IP) system.

Part names



NOTE:

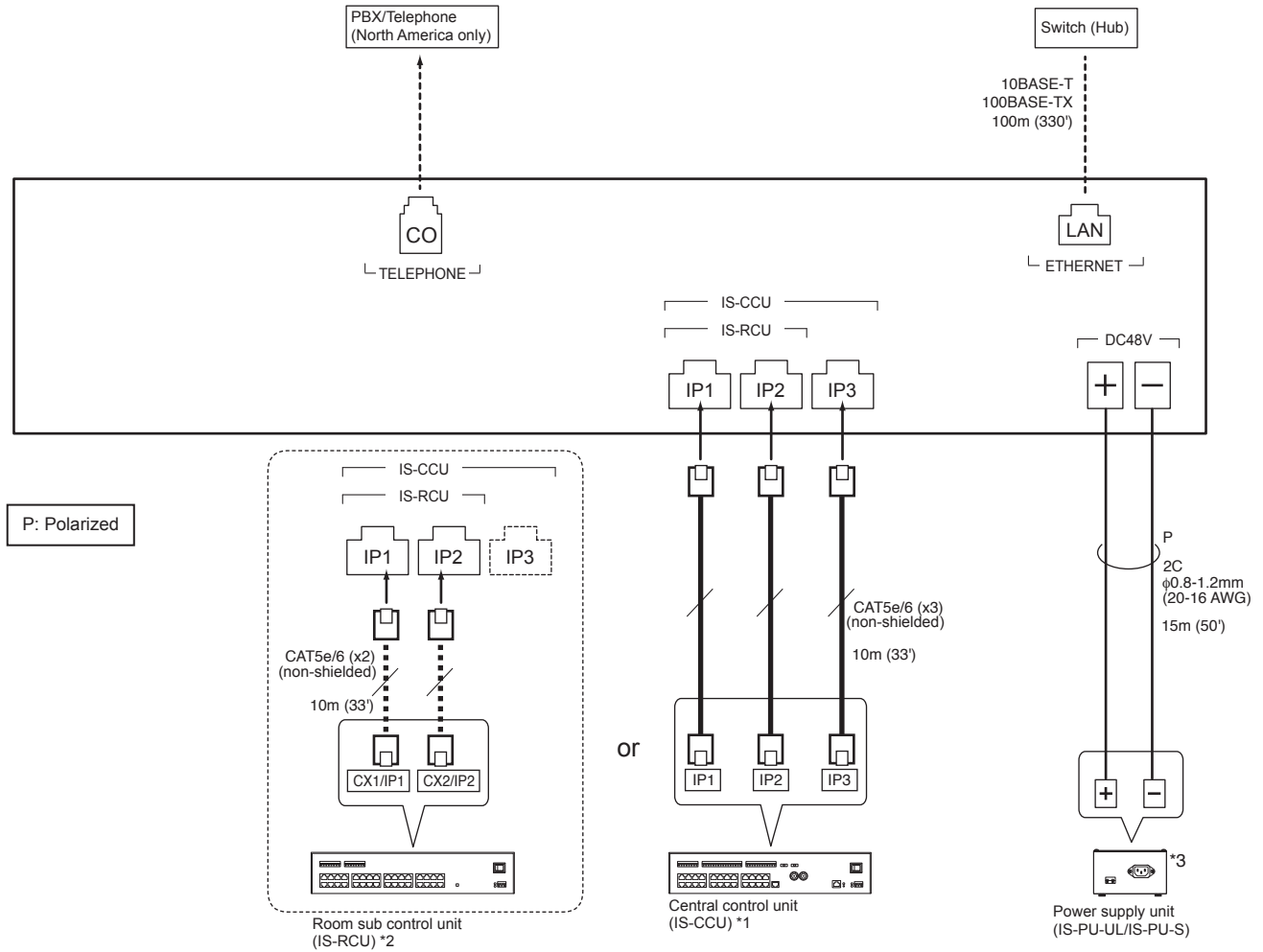
The illustration of the unit may differ from the actual one.

Specifications

IP control unit (IS-IPC)

Power source	48V DC (supplied from the power supply unit)
Current consumption	Max. 105mA
Ambient temperature	0 - 40°C (+32°F - +104°F)
Talk channels · Video channels, other channels	2 talk & 2 constrained video channels, 1 chime, and 1 telephone (North America only)
Central control unit	Max. 1
Room sub control unit	
LAN	Ethernet (10 BASE-T, 100 BASE-TX)
Mounting	Rack-mount (19-inch, 2U rack) or wall-mount
Material	Steel plate
Color	Black

■ Connections



*1: When connecting a central control unit (IS-CCU) to this unit, connect it to the IP1, IP2 and IP3 ports.

*2: When connecting a room sub control unit (IS-RCU) to this unit, connect it to the IP1 and IP2 ports.

*3: Do not install two power supplies in parallel to a single input. Be sure to connect a single power supply unit to a control unit.

NOTES:

- Do not use the unoccupied terminals and ports for other purposes.
- In order to prevent miswiring, label both ends of each cable with the unit and terminal names to which they are to be connected.
- For connecting other manufacturer's products, refer to the instruction manuals for those products.
- The illustration of the unit's front panel differs from the actual one. This is for simplifying the connection diagram.

Color monitor master station (IS-MV)

* For the part names and their functions, see the OPERATION MANUAL.

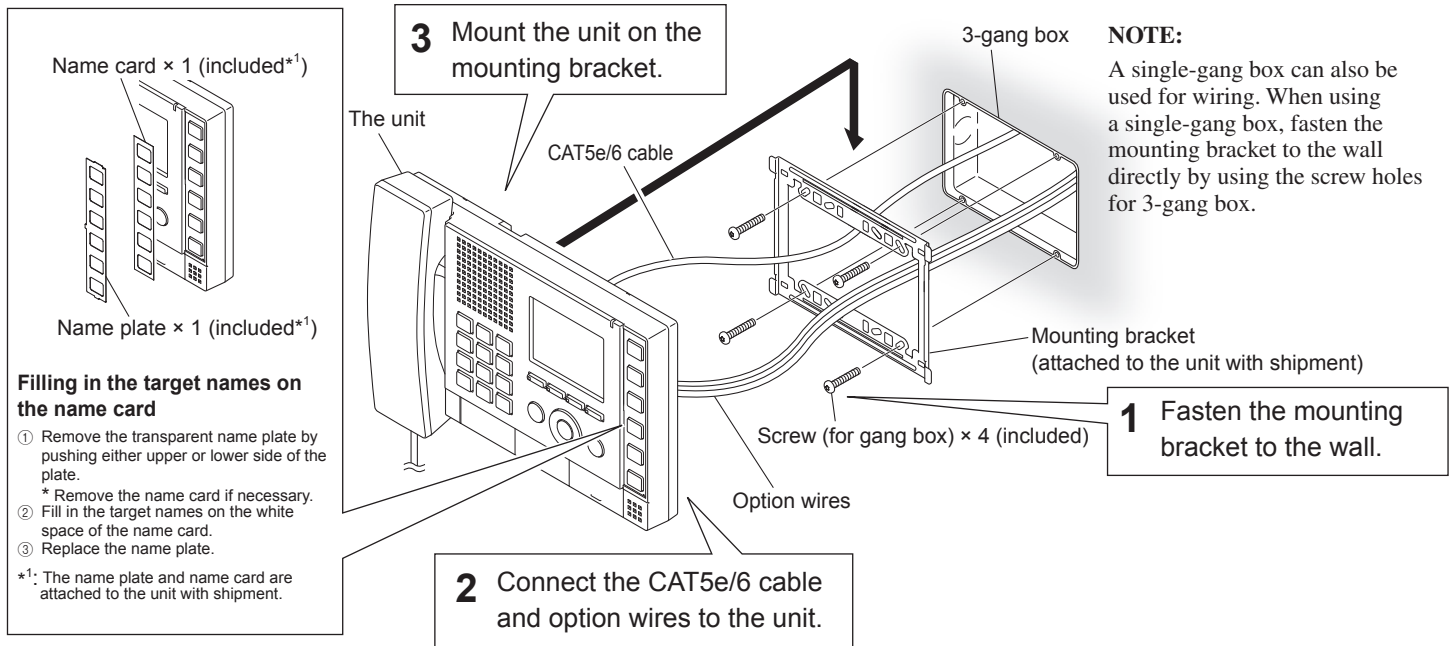
■ Accessories

- Mounting bracket × 1
- Desktop stand × 1
- Tie-wrap × 1
- Name plate × 1
- Name card × 1
- Screw (15mm (5/8"), for wall-mounting) × 4
- Screw (25mm (1"), for gang box) × 4
- Screw (10mm (7/16"), for desktop stand) × 4
- China RoHS paper × 1

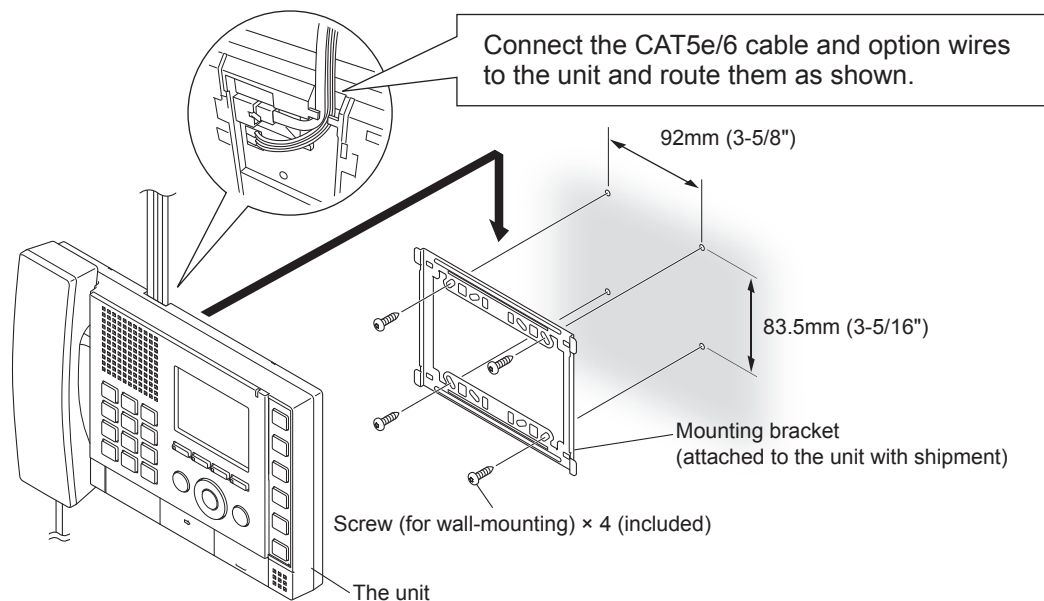
■ Mounting

When mounting on a wall

<Back wiring>



<Surface wiring>

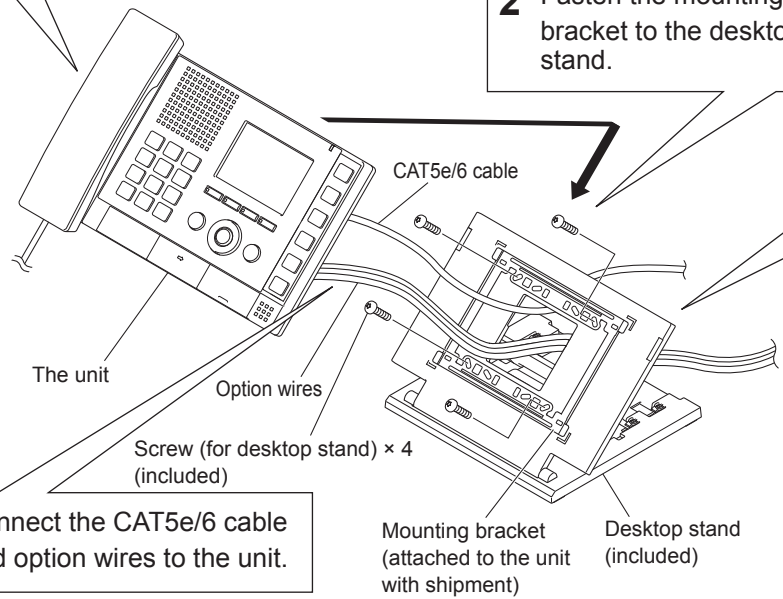


When mounting on a desktop stand

4 Mount the unit on the mounting bracket.

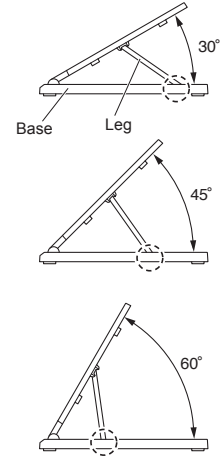
2 Fasten the mounting bracket to the desktop stand.

3 Connect the CAT5e/6 cable and option wires to the unit.



1 Set up the desktop stand.

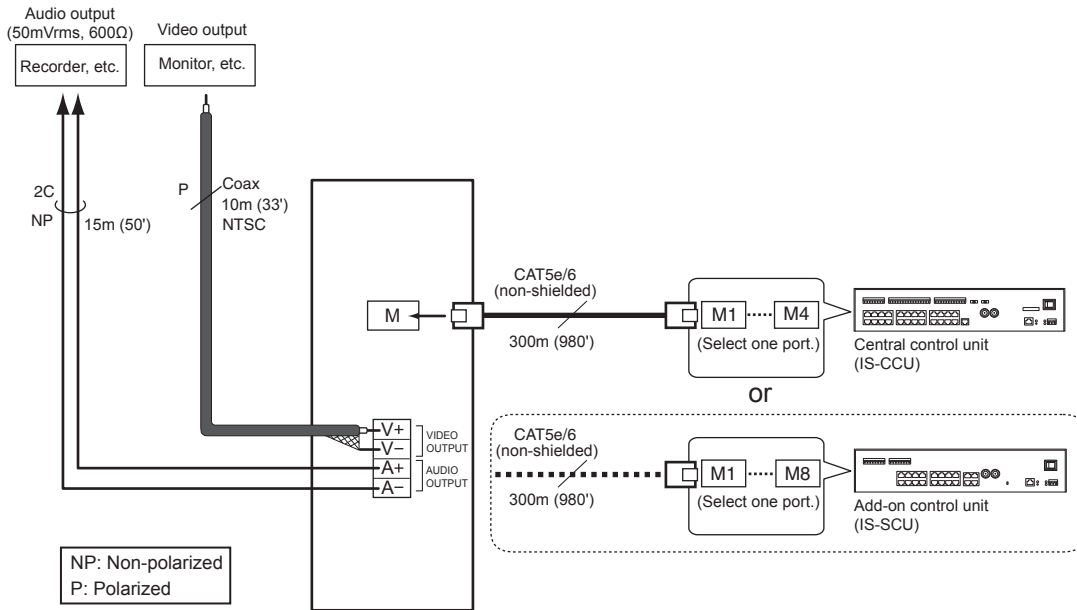
- * Set up the desktop stand on a level surface etc. so that it is stabilized. Fix the desktop stand in place if needed.
- * The desktop stand allows you to adjust it in 3 setup angles. Put the leg in a groove on the base that corresponds to the desired angle.



NOTES:

- Attach the screws to the screw holes for 3-gang box on the mounting bracket to make both sides of the mounting bracket contact the desktop stand.
- If necessary, secure the CAT5e/6 cable with the tie-wrap (included).

■ Connections



NOTES:

- Do not use the unoccupied terminals and ports for other purposes.
- In order to prevent miswiring, label both ends of each cable with the unit and terminal names to which they are to be connected.
- For connecting other manufacturer's products, refer to the instruction manuals for those products.
- The illustration of the unit's rear panel differs from the actual one. This is for simplifying the connection diagram.

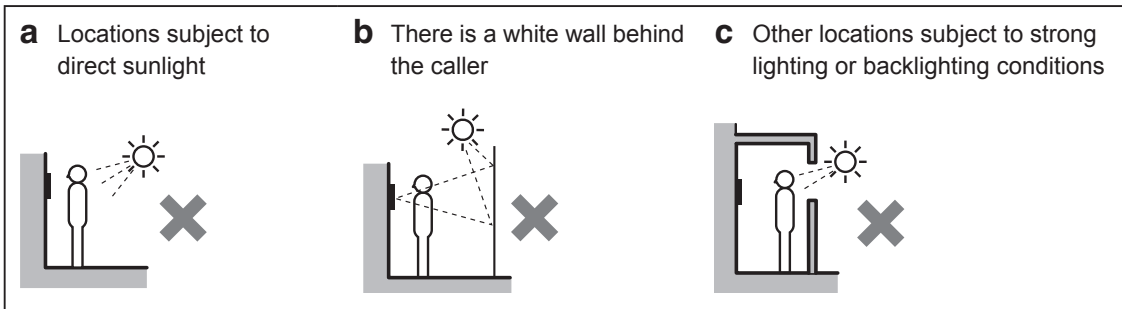
Vandal-resistant video door station (IS-DV, IS-DVF), Vandal-resistant audio door station (IS-SS)

Accessories

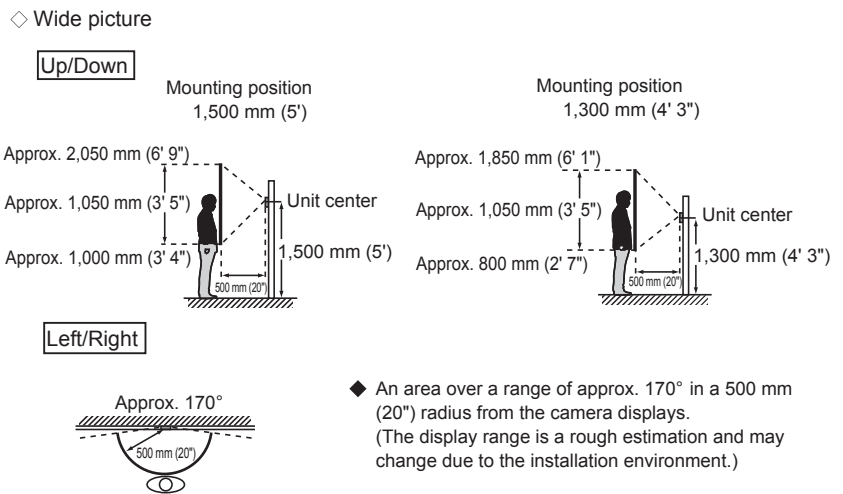
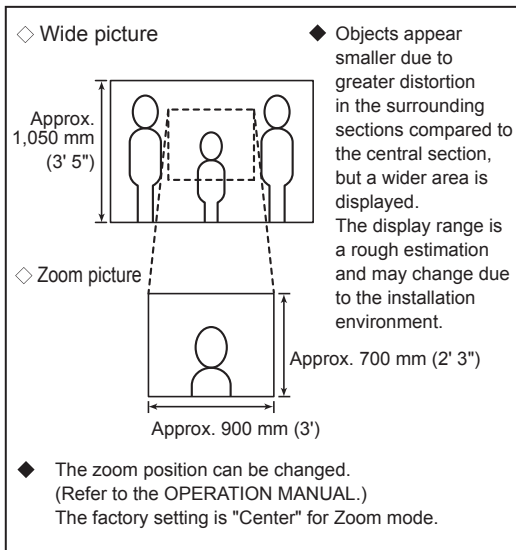
- Screw (for wall-mounting) × 4 (IS-DV only)
- Anchor × 4 (IS-DV only)
- Transparent name plate × 2 (IS-DV and IS-DVF only)
- Special screw × 4 (IS-DVF and IS-SS only)
- Special screwdriver × 1
- Back box × 1 (IS-DVF and IS-SS only)
- China RoHS paper × 1

Mounting locations (IS-DV and IS-DVF)

Do not install this unit in any of the following locations where lighting or the ambient environment could impact the display on the video monitor due to the characteristics of the door station's camera.

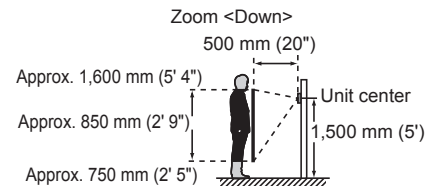
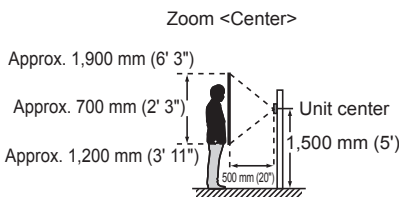
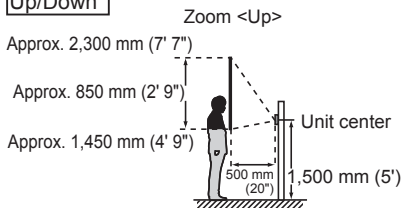


Mounting positions and image view area of video door station (IS-DV and IS-DVF)

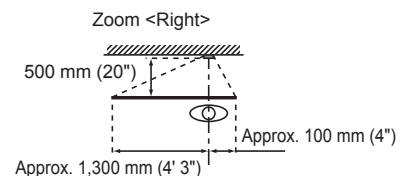
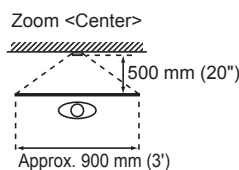
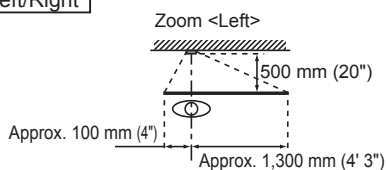


◇ Zoom picture (when mounting position is 1,500 mm (5'))

Up/Down

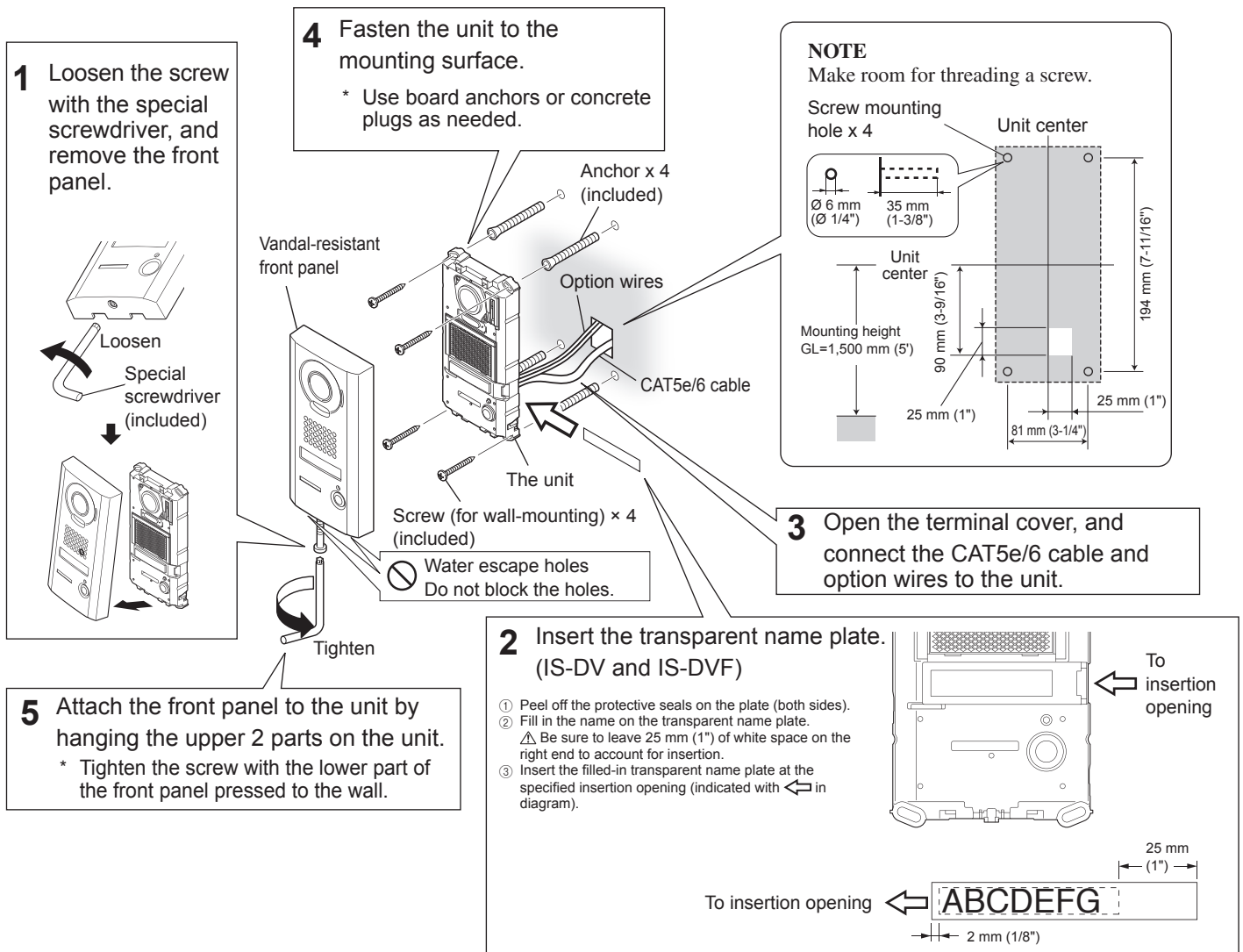


Left/Right



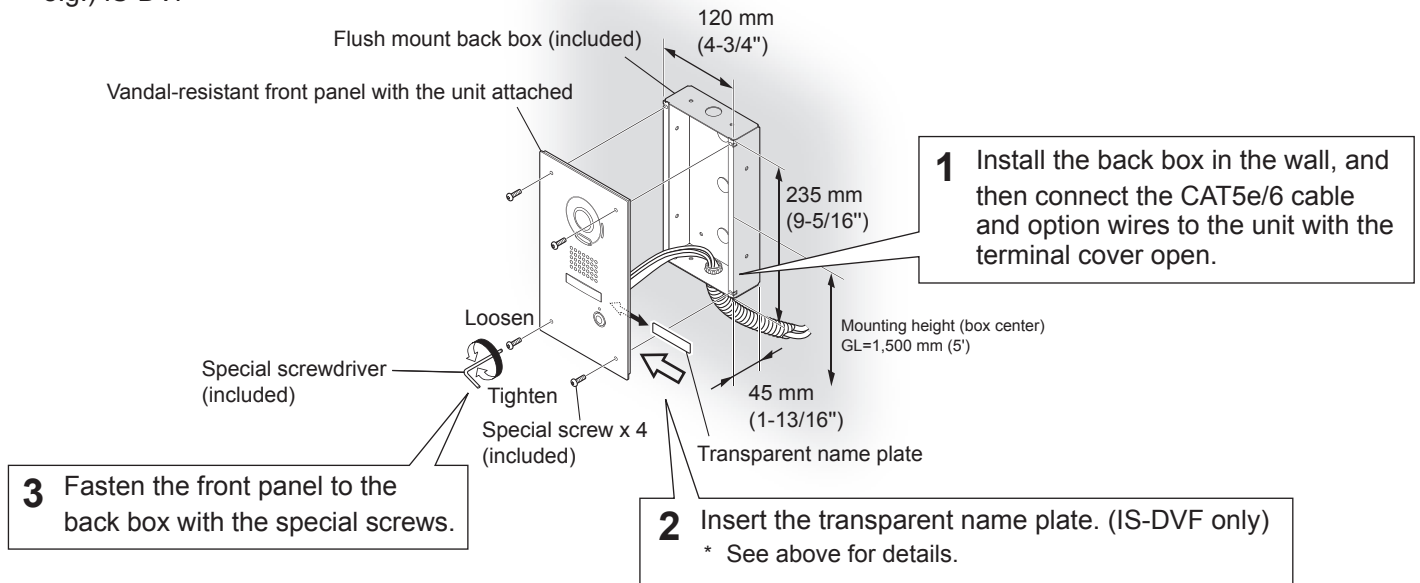
■ Mounting

IS-DV (surface-mount)

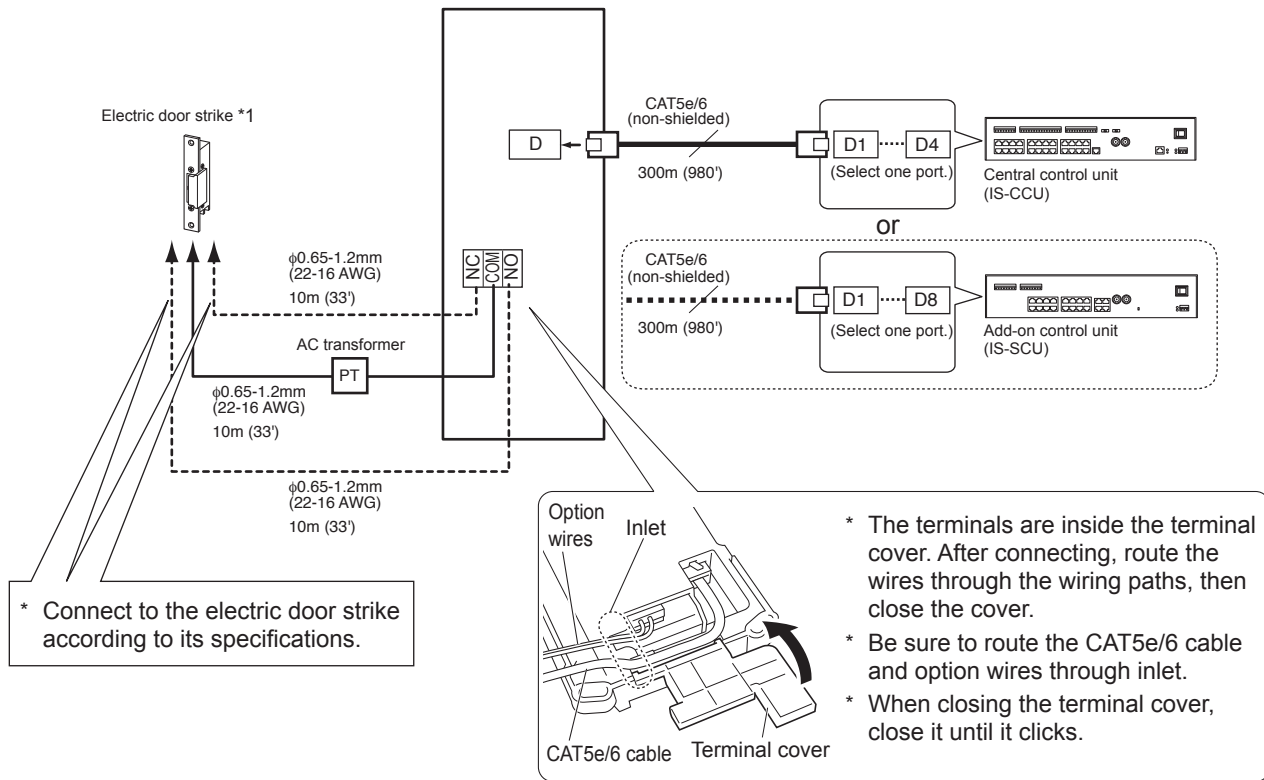


IS-DVF (flush-mount), IS-SS (flush-mount)

e.g.) IS-DVF



■ Connections (IS-DV and IS-DVF)



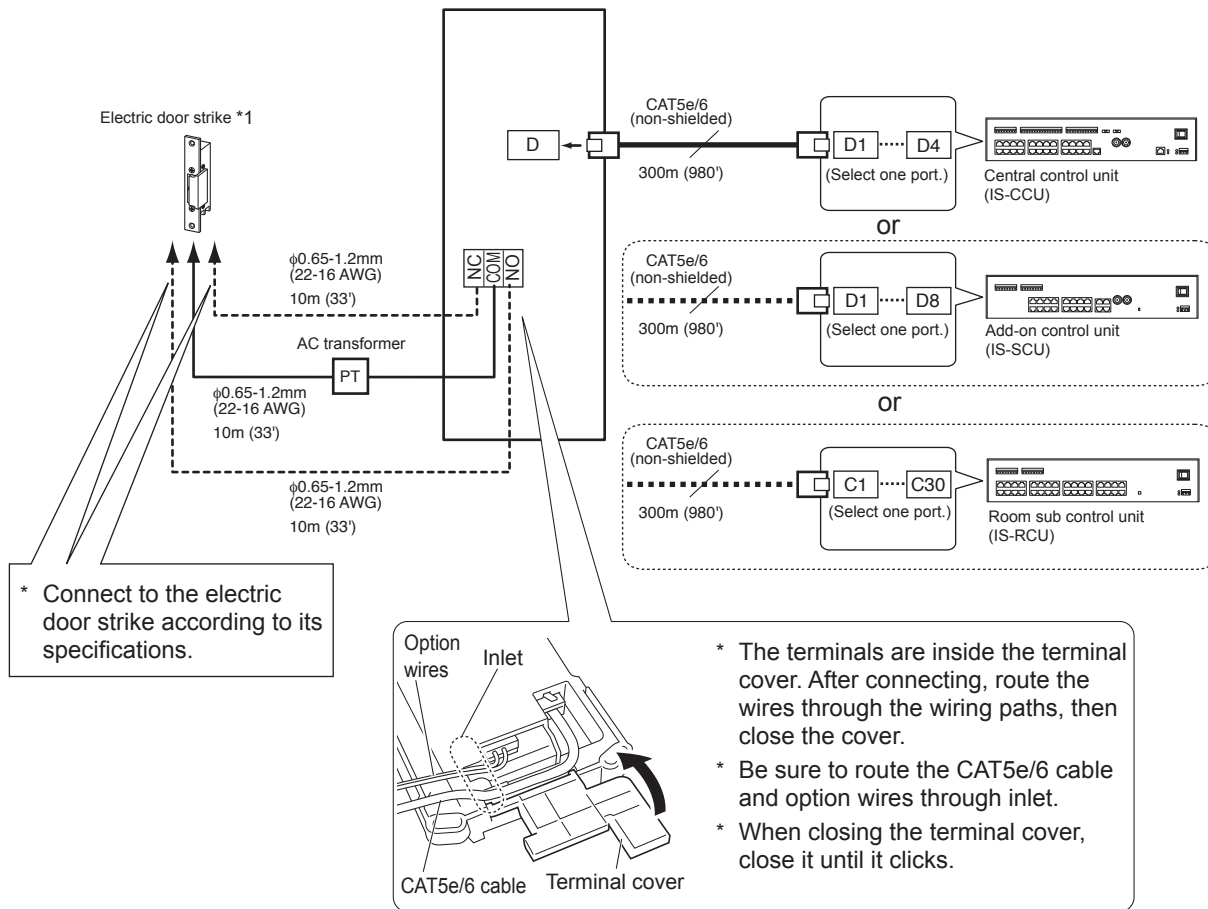
*1: Output specifications

Output method	N/O or N/C dry closure contact
Voltage between terminals	24V AC, 0.5A (resistive load) 24V DC, 0.5A (resistive load) Minimum overload (AC/DC): 100mV, 0.1mA

NOTES:

- Do not use the unoccupied terminals and ports for other purposes.
- In order to prevent miswiring, label both ends of each cable with the unit and terminal names to which they are to be connected.
- For connecting other manufacturer's products, refer to the instruction manuals for those products.
- The illustration of the unit's rear panel differs from the actual one. This is for simplifying the connection diagram.

■ Connections (IS-SS)



*1: Output specifications

Output method	N/O or N/C dry closure contact
Voltage between terminals	24V AC, 0.5A (resistive load) 24V DC, 0.5A (resistive load) Minimum overload (AC/DC): 100mV, 0.1mA

NOTES:

- Do not use the unoccupied terminals and ports for other purposes.
- In order to prevent miswiring, label both ends of each cable with the unit and terminal names to which they are to be connected.
- For connecting other manufacture's products, refer to the instruction manuals for those products.
- The illustration of the unit's rear panel differs from the actual one. This is for simplifying the connection diagram.

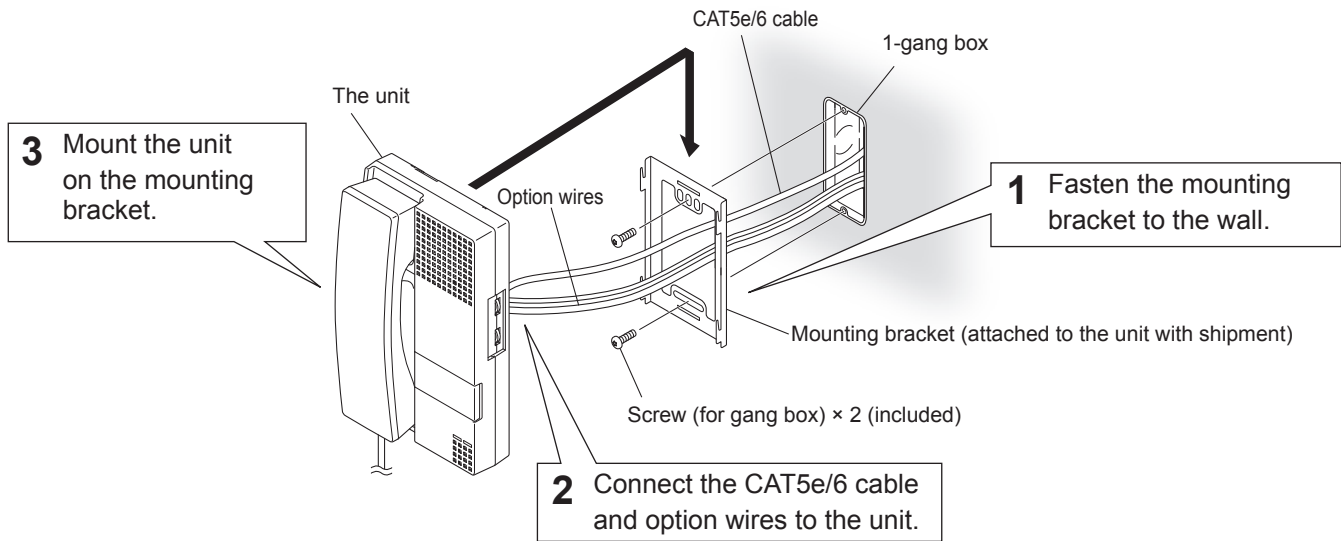
Room sub station (IS-RS)

■ Accessories

- Mounting bracket × 1
- Screw (for wall-mounting) × 2
- Tie-wrap × 1
- Screw (for gang box) × 2
- China RoHS paper × 1

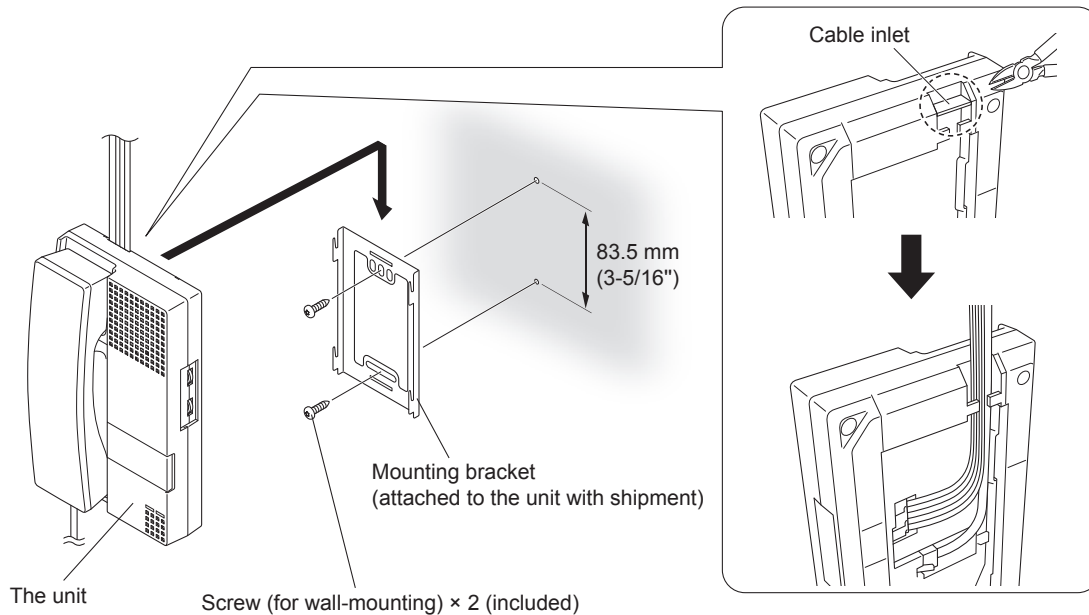
■ Mounting

<Back wiring>

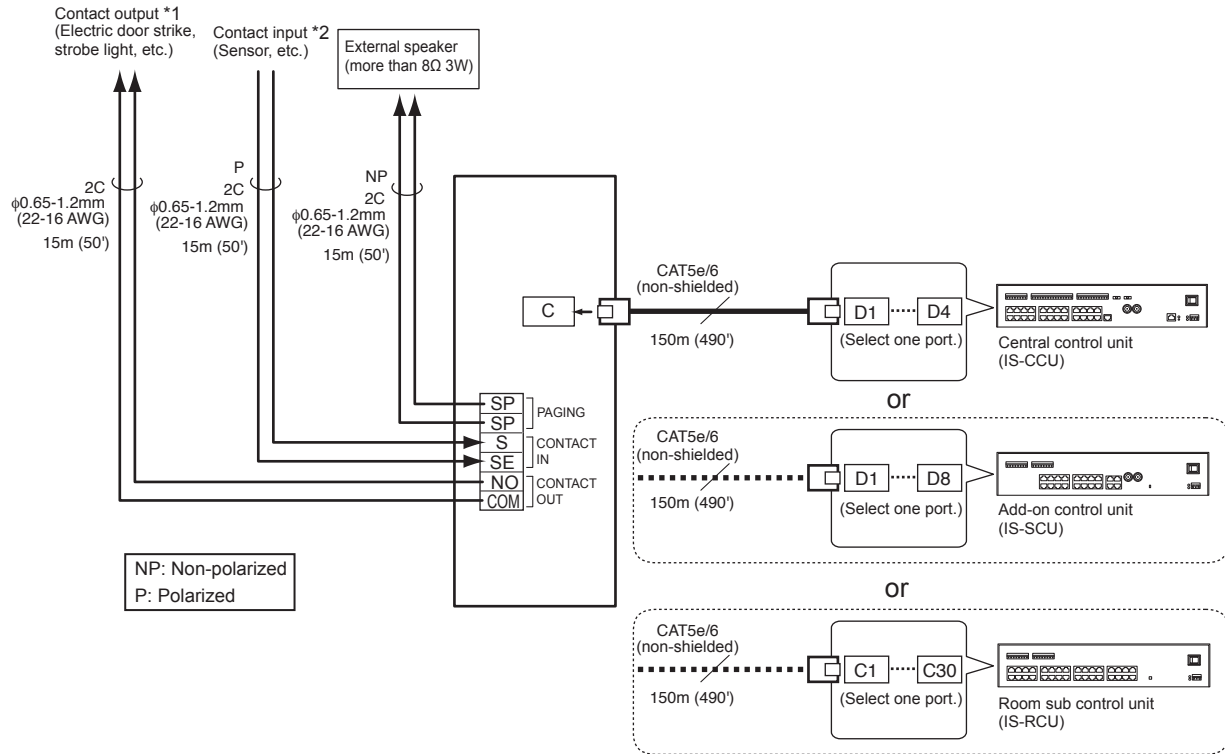


<Surface wiring>

When a 1-gang box is not mounted, the cable and wires can be routed to the top of the unit. Cut a cable inlet on the upper part of the unit to allow passage of the wiring into the unit.



■ Connections



*1: Output specifications

Output method	N/O dry closure contact
Voltage between terminals	24V AC, 0.5A (resistive load) 24V DC, 0.5A (resistive load) Minimum overload (AC/DC): 100mV, 0.1mA

*2: Input specifications

Input method	N/O or N/C dry closure contact (start signal only detection method)
Detection confirmation time	100 ms or more
Contact resistance	During N/O dry closure: Less than 700 Ω During N/C dry closure: At least 4 k Ω
Terminal short current	Less than 10 mA
Voltage between terminals	Less than 5 V DC (when open between terminals)

NOTES:

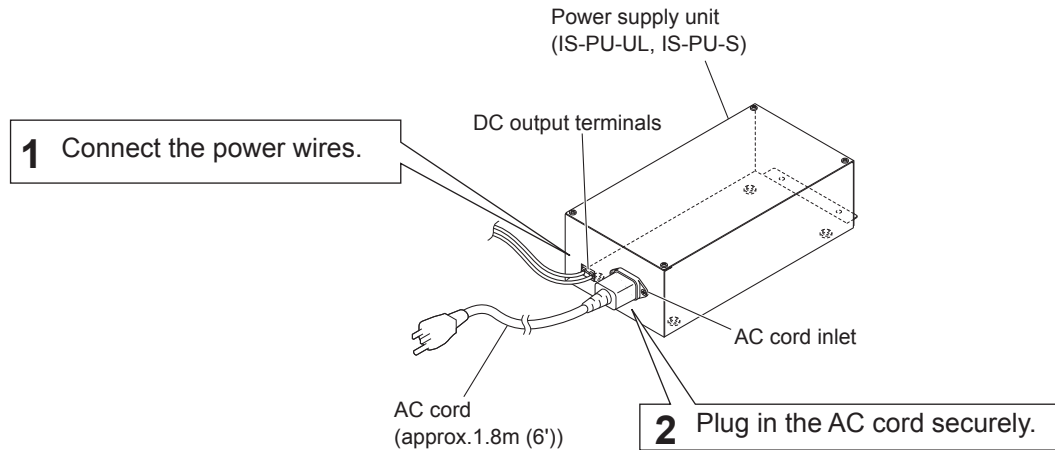
- Do not use the unoccupied terminals and ports for other purposes.
- In order to prevent miswiring, label both ends of each cable with the unit and terminal names to which they are to be connected.
- For connecting other manufacture's products, refer to the instruction manuals for those products.
- The illustration of the unit's rear panel differs from the actual one. This is for simplifying the connection diagram.

Power supply unit (IS-PU-UL and IS-PU-S)

■ Accessories

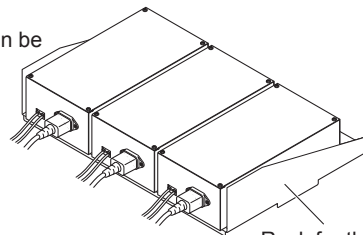
- AC cord × 1 (included in the package of this power supply unit)
- Precaution & mounting instruction sheet (paper) × 1
- China RoHS paper × 1 (IS-PU-S only)

■ Mounting



- The power supply unit cannot be mounted on a wall directly.
- By using the IS-RACK (sold separately), the power supply unit can be set in the 19-inch rack or mounted on a wall.

* Up to 3 power supply units can be mounted on the rack.

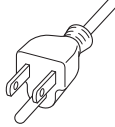
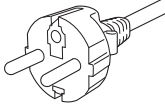


Rack for the power supply unit (IS-RACK)

* The IS-RACK is available. Consult an authorized Aiphone dealer for details.

■ AC cord requirements

- Type: Must comply with requirements set out by the Safety Approval/Certification Organization in each country of use.
- Employ a plug in style and ratings matched with AC outlet to be used.

Model name	Plug configuration	Usage	Nominal voltage & current rating
IS-PU-UL		North American	125V, 10A
IS-PU-S		Universal European	250V, 6A

TECHNICAL DATA AND PRECAUTIONS

Technical data

- Operating temperature:

Control unit (IS-CCU, IS-SCU, IS-RCU, IS-IPC), Master station (IS-MV), Room sub station (IS-RS), Power supply unit (IS-PU-UL, IS-PU-S)	0 - 40°C (+32°F - +104°F)
Door station (IS-DV, IS-DVF, IS-SS)	-10 - 60°C (+14°F - +140°F)

- Dimensions:

Control unit (IS-CCU, IS-SCU, IS-RCU, IS-IPC)		425 (W) x 88 (H) x 280 (D) mm 16-3/4" (W) x 3-1/2" (H) x 11-1/16" (D)
Color monitor master station (IS-MV)		250 (W) x 189 (H) x 59 (D) mm 9-7/8" (W) x 7-1/2" (H) x 2-3/8" (D)
Vandal-resistant video door station (IS-DV)		105 (W) x 215 (H) x 32 (D) mm 4-3/16" (W) x 8-1/2" (H) x 1-5/16" (D)
Vandal-resistant video door station (IS-DVF)	IS-DVF	150 (W) x 265 (H) x 38 (D) mm 5-15/16" (W) x 10-7/16" (H) x 1-1/2" (D)
	Flush mount back box	120 (W) x 235 (H) x 45 (D) mm 4-3/4" (W) x 9-5/16" (H) x 1-13/16" (D)
Vandal-resistant audio door station (IS-SS)	IS-SS	150 (W) x 265 (H) x 32 (D) mm 5-15/16" (W) x 10-7/16" (H) x 1-5/16" (D)
	Flush mount back box	120 (W) x 235 (H) x 45 (D) mm 4-3/4" (W) x 9-5/16" (H) x 1-13/16" (D)
Room sub station (IS-RS)		116.5 (W) x 199 (H) x 64 (D) mm 4-5/8" (W) x 7-7/8" (H) x 2-9/16" (D)
Power supply unit (IS-PU-UL, IS-PU-S)		130 (W) x 265 (H) x 83 (D) mm 5-1/8" (W) x 10-7/16" (H) x 3-5/16" (D)

- Weight:


Control unit (IS-CCU, IS-SCU, IS-RCU)		Approx. 4.0 kg (8.82 lbs.)
IP control unit (IS-IPC)		Approx. 3.6 kg (7.94 lbs.)
Color monitor master station (IS-MV)		Approx. 820 g (1.81 lbs.)
Vandal-resistant video door station (IS-DV)		Approx. 520 g (1.15 lbs.)
Vandal-resistant video door station (IS-DVF)	IS-DVF	Approx. 810 g (1.79 lbs.)
	Flush mount back box	Approx. 600 g (1.32 lbs.)
Vandal-resistant audio door station (IS-SS)	IS-SS	Approx. 820 g (1.81 lbs.)
	Flush mount back box	Approx. 600 g (1.32 lbs.)
Room sub station (IS-RS)		Approx. 530 g (1.17 lbs.)
Power supply unit (IS-PU-UL, IS-PU-S)		Approx. 1.5 kg (3.31 lbs.)

Technical precautions

- Cleaning: Clean the units with a soft cloth dampened with a neutral household cleanser. Do not use an abrasive cleanser or cloth.

WARRANTY

Aiphone warrants its products to be free from defects of material and workmanship under normal use and service for a period of two years after delivery to the ultimate user and will repair free of charge or replace at no charge, should it become defective upon which examination shall disclose to be defective and under warranty. Aiphone reserves unto itself the sole right to make the final decision whether there is a defect in materials and/or workmanship; and whether or not the product is within the warranty. This warranty shall not apply to any Aiphone product which has been subject to misuse, neglect, accident, power surge, or to use in violation of instructions furnished, nor extended to units which have been repaired or altered outside of the factory. This warranty does not cover batteries or damage caused by batteries used in connection with the unit. This warranty covers bench repairs only, and any repairs must be made at the shop or place designated in writing by Aiphone. Aiphone will not be responsible for any costs incurred involving on site service calls. Aiphone will not provide compensation for any loss or damage incurred by the breakdown or malfunction of its products during use, or for any consequent inconvenience or losses that may result.

The object area of  is the EU.

FCC

This device complies with Part 15 of the FCC Rules. Operation is subject to the following two conditions: (1) this device may not cause harmful interference, and (2) this device must accept any interference received, including interference that may cause undesired operation.

This equipment has been tested and found to comply with the limits for a Class B digital device, pursuant to Part 15 of the FCC Rules. These limits are designed to provide reasonable protection against harmful interference in a residential installation. This equipment generates, uses, and can radiate radio frequency energy, and if not installed and used in accordance with the instructions, may cause harmful interference to radio communications. However, there is no guarantee that interference will not occur in a particular installation. If this equipment does cause harmful interference to radio or television reception, which can be determined by turning the equipment off and on, the user is encouraged to try to correct the interference by one or more of the following measures:

- Reorient or relocate the receiving antenna
- Connect the equipment to an outlet on a circuit different from that to which the receiver is connected. Increase the separation between the equipment and receiver.
- Consult the dealer or an experienced radio/TV technician for help.



Providing Peace of Mind

<http://www.aiphone.net/>

AIPHONE CO., LTD., NAGOYA, JAPAN
AIPHONE CORPORATION, BELLEVUE, WA, USA
AIPHONE S.A.S., LISSES-EVRY, FRANCE

Printed in Japan